

Series QR2-F Heat-resistant

- 1x banjo union
- Internal thread
- M5
- push-in fitting
- Ø 4
- QR2-F-RW1



Working pressure min./max.	-0,95 ... 16 bar
Ambient temperature min./max.	-20 ... 150 °C
Weight	See table

Technical data

Part No.	Port G	Port D	Delivery unit	Weight
1823391862	M5	Ø 4	10 piece	0,007 kg
1823391863	G 1/8	Ø 4	10 piece	0,01 kg
1823391864	G 1/8	Ø 6	10 piece	0,013 kg
1823391865	G 1/8	Ø 8	10 piece	0,018 kg
1823391866	G 1/4	Ø 6	10 piece	0,018 kg
1823391867	G 1/4	Ø 8	10 piece	0,021 kg
1823391868	G 1/4	Ø 10	5 piece	0,025 kg

Technical information

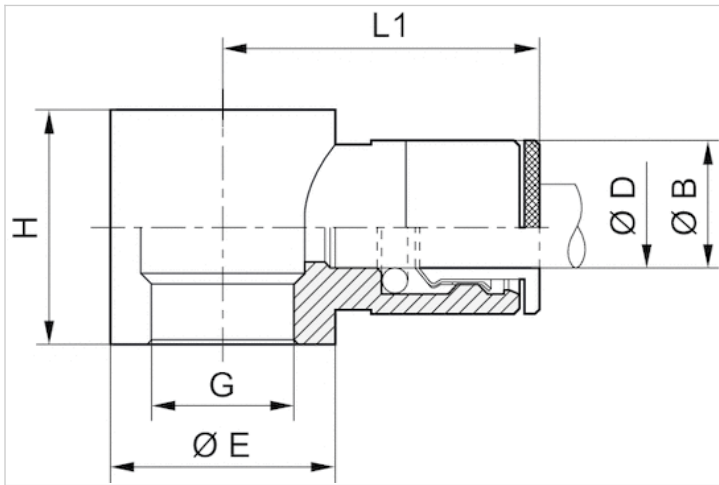
The series QR1 (plastic) and QR2 (metal) can not be combined

For further information about assembling and tolerances of adaptable tubing can be found in the "Technical information" document (available in the MediaCentre).

Technical information

Material	
Housing	Brass, nickel-plated
Seal	Fluorocaoutchouc
Tooth lock washer	Stainless steel
Release ring	Brass, nickel-plated

Dimensions



Dimensions

Part No.	Port D	Port G	Ø B	Ø E	H	L1
1823391862	Ø 4	M5	9	7	9	18.5
1823391863	Ø 4	G 1/8	9	14	15	21
1823391864	Ø 6	G 1/8	11	14	15	23
1823391865	Ø 8	G 1/8	13	14	15	24.5
1823391866	Ø 6	G 1/4	11	18	17	24
1823391867	Ø 8	G 1/4	13	18	17	26
1823391868	Ø 10	G 1/4	15	18	17	27