

Series QR2-C, stainless steel

- Straight fitting, conical
- External thread
- R 1/4
- push-in fitting
- Ø 4
- QR2-C-RPN
- suitable for use in food processing



Working pressure min./max.	-0,95 ... 16 bar
Ambient temperature min./max.	-20 ... 150 °C
Weight	See table

Technical data

Part No.	Port G	Port D	Delivery unit	Weight
2544004180	R 1/8	Ø 4	2 piece	0,006 kg
2544006180	R 1/8	Ø 6	2 piece	0,009 kg
2544008180	R 1/8	Ø 8	2 piece	0,014 kg
2544004140	R 1/4	Ø 4	2 piece	0,016 kg
2544006140	R 1/4	Ø 6	2 piece	0,014 kg
2544008140	R 1/4	Ø 8	2 piece	0,014 kg
2544010140	R 1/4	Ø 10	2 piece	0,021 kg
2544010380	R 3/8	Ø 10	1 piece	0,021 kg
2544012380	R 3/8	Ø 12	1 piece	0,026 kg
2544012120	R 1/2	Ø 12	1 piece	0,041 kg

Technical information

The series QR1 (plastic) and QR2 (metal) can not be combined

For further information about assembling and tolerances of adaptable tubing can be found in the "Technical information" document (available in the MediaCentre).

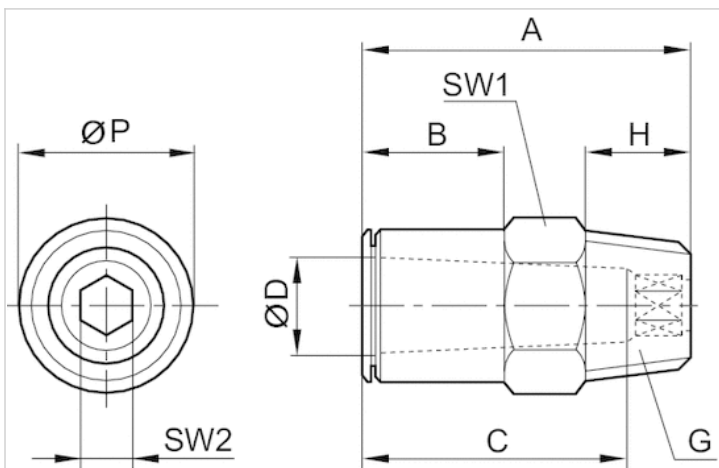
Technical information

Material

Housing	Stainless steel
Seal	Fluorocaoutchouc
Tooth lock washer	Stainless steel
Release ring	Stainless steel
Thread	Stainless steel

Dimensions

Dimensions



Dimensions

Part No.	Port D	Port G	A	B	C	H	SW1	SW2	Ø P
2544004180	Ø 4	R 1/8	18	5	15	6.5	10	3	9
2544006180	Ø 6	R 1/8	20.5	6	18	7.5	12	5	11
2544008180	Ø 8	R 1/8	24	11.5	16	7.5	14	6	13
2544004140	Ø 4	R 1/4	21.5	1.5	16	10.5	14	3	9
2544006140	Ø 6	R 1/4	20.5	2.5	15	11	14	5	11
2544008140	Ø 8	R 1/4	22.5	4.5	19	11	14	6	13
2544010140	Ø 10	R 1/4	29.5	11	19	11	16	9	16
2544010380	Ø 10	R 3/8	25.5	6	19	11.5	17	5	16
2544012380	Ø 12	R 3/8	31.5	11	20	11.5	19	10	18
2544012120	Ø 12	R 1/2	31.5	8.5	20	14	22	10	18