

# Check-choke valve, Series CC02-AL

- Qn 1▶2 = 85 l/min
- direction of throttle 1 ▶ 2
- inlet-side throttling
- plug-in with tube nut / External thread



Working pressure min./max.	0,5 ... 10 bar
Ambient temperature min./max.	-10 ... 70 °C
Medium temperature min./max.	-10 ... 70 °C
Medium	Compressed air

## Technical data

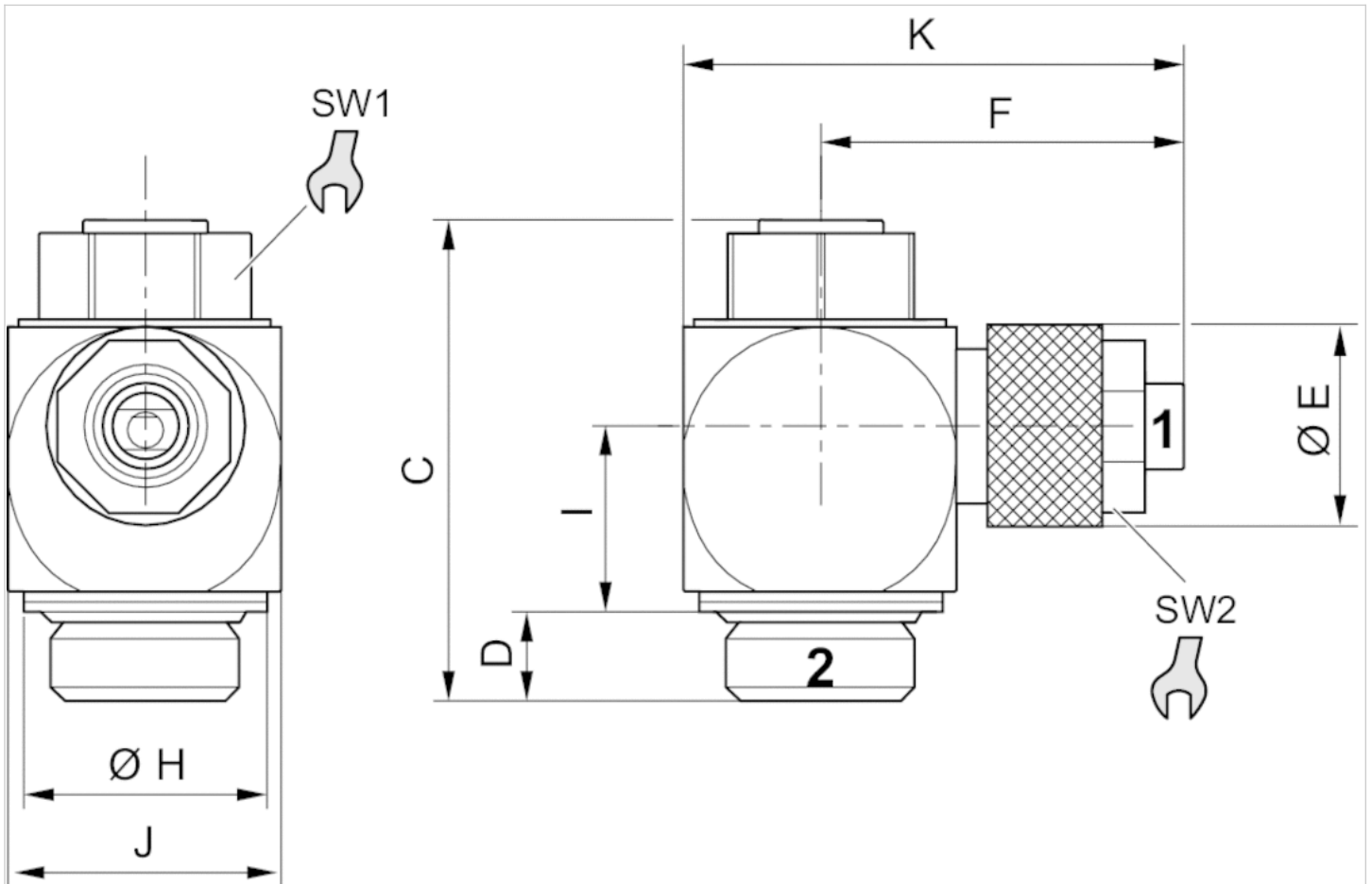
Part No.	Port 1	Port 2	Throttle bore	Flow
			Ø	Qn 1▶2
0821200118	Ø 3x0,65	M5	2 mm	85 l/min
R412026123	Ø 3x1	M5	2 mm	85 l/min
R412026122	Ø 4x1	M5	2 mm	85 l/min

## Technical information

Material	
Housing	Aluminum
Flow control screw	Brass
Seals	Acrylonitrile butadiene rubber

## Dimensions

### Dimensions



### Dimensions

Part No.	Port 1	Port 2	C	D	ØE	F	ØH	I	J	K	SW1	SW2
0821200118	Ø 3x0,65	M5	21.8	4.1	10	16	8.5	7.4	10	21.5	7	8
R412026123	Ø 3x1	M5	21.8	4.1	10	16	8.5	7.4	10	21.5	7	8
R412026122	Ø 4x1	M5	21.8	4.1	10	16	8.5	7.4	10	22	7	8