

Rear eye, Series MP6

- With ball joint and foot
- Cylinder mounting in accordance with ISO 15552
- Suitable piston \varnothing 32 mm



Standards
Weight

ISO 15552
See table

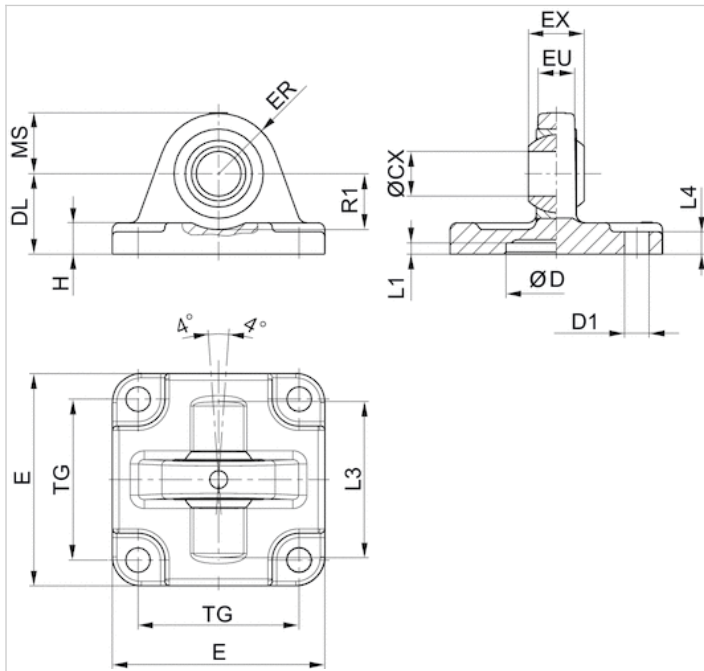
Technical data

Part No.	Piston \varnothing	Hole \varnothing	Weight
2798060320	32 mm	10 mm	0,1 kg
2798060400	40 mm	12 mm	0,1 kg
2798060630	63 mm	16 mm	0,4 kg
2798061000	100 mm	20 mm	0,9 kg
R412025637	50 mm	12 mm	0,2 kg
R412025638	80 mm	20 mm	0,5 kg

Technical information

Material	
Material	Aluminum (forged and anodized)
Screws	Stainless steel
Bearing	Stainless steel

Dimensions



Dimensions

Part No.	Piston Ø	ØCX H7	ØD H11	ØD1 H13	DL ±0,2	E	EX -0,1	ER	EU	H	L1 1)	L3	L4
2798060320	32 mm	10	30	6,6	22	46	14	17	12,5	6,5	4,5	-	5,5
2798060400	40 mm	12	35	6,6	25	52	16	20	12	8	4,5	-	5,5
2798060630	63 mm	16	45	9	32	74	21	25	15	11	4,5	-	6,5
2798061000	100 mm	20	55	11	41	114	25	32	20	15	4,5	-	10
R412025637	50 mm	16	40	9	27	64	21	22	14	9	4,5	48	6,5
R412025638	80 mm	20	45	11	36	94	25	30	17	12	4,5	70	10

MS -0,5	R1 1)	TG
15,5	16,5	32,5
18	19,5	38
23	25,5	56,5
30	31	89
21	19	46,5
28	24	72

1) Min.