

# Tubing clamp for reinforced plastic tubing, DIN 3017 form A



Weight

See table

## Technical data

Part No.	Type	Clearance (LW)	Delivery unit	Weight
1821310002	Ø 8-12	4 mm	25 piece	0,004 kg
1821310001	Ø 10-16	8 mm	25 piece	0,007 kg
1821310003	Ø 12-20	13 mm	25 piece	0,011 kg
1821310000	Ø 20-32	19 mm	25 piece	0,014 kg

## Technical information

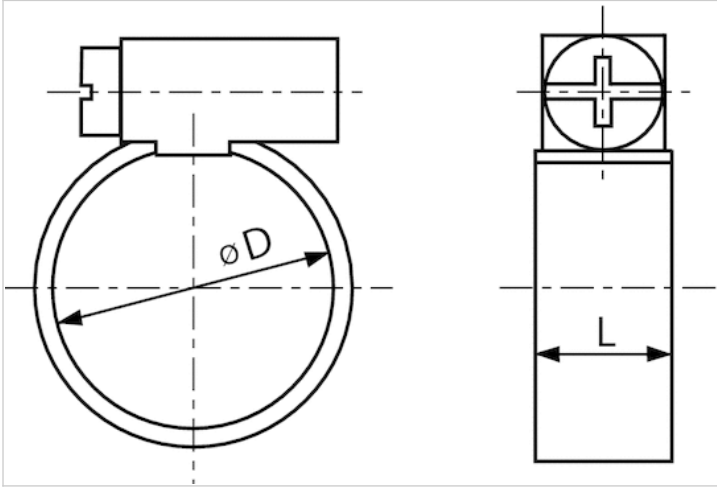
Materials: band and housing made of chrome steel 1.4016, screw made of yellow chromated steel Cq15. Category W2: low to medium corrosion resistance requirements, but detachability of corroded connections is ensured.

## Technical information

Material	
Material	Stainless steel

## Dimensions

### Dimensions



## Dimensions

Part No.	$\varnothing D$	L
1821310002	8-12	9
1821310001	10-16	9
1821310003	12-20	9
1821310000	20-32	9