

# Intermediate flange, Series JP2

- for multi-position cylinders

- Suitable piston Ø 16 20 25 32 40 50 63 80 100 mm



## Technical data

Part No.	Piston Ø
1827020290	16 mm
1827020267	20 mm
1827020268	25 mm
1827020269	32 mm
1827020270	40 mm
1827020271	50 mm
1827020272	63 mm
1827020273	80 mm
R412024535	80 mm
R412024536	100 mm
1827020274	100 mm

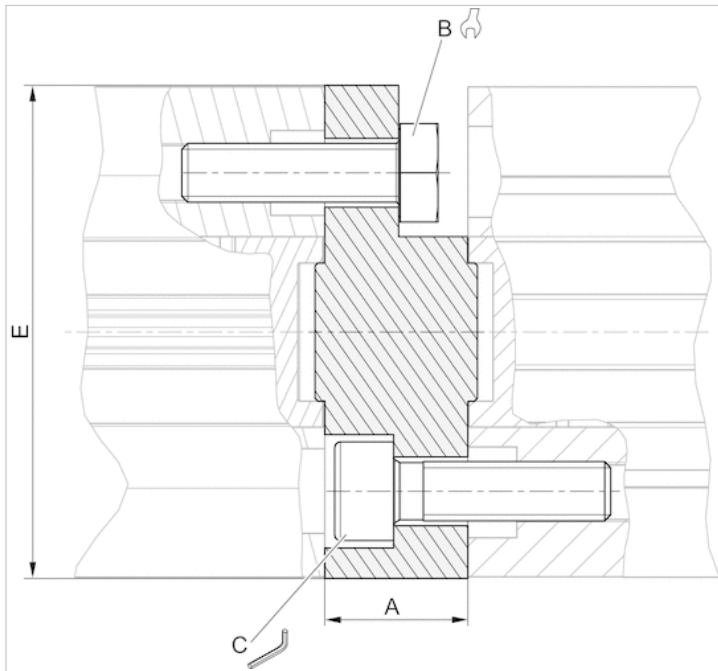
## Technical information

Material

Material

Aluminum

## Dimensions



## Dimensions

Part No.	For series	A	B	C	Md [Nm] 1)	E
1827020290	CCI KPZ	12.5	7	–	2.5	28.4
1827020267	CCI KPZ	12.5	8	–	4	35
1827020268	CCI KPZ	13	8	4	4	40
1827020269	CCI KPZ	14.5	10	5	4	50
1827020270	CCI KPZ	14.5	10	5	4	57.1
1827020271	CCI KPZ	14.5	13	6	8	67.4
1827020272	CCI KPZ	14.5	13	6	8	80
1827020273	KPZ	16.5	16	–	16	98.4
R412024535	CCI	16.5	16	8	16	95
R412024536	CCI	19.5	16	8	16	115
1827020274	KPZ	19.5	16	–	16	120

1) torque