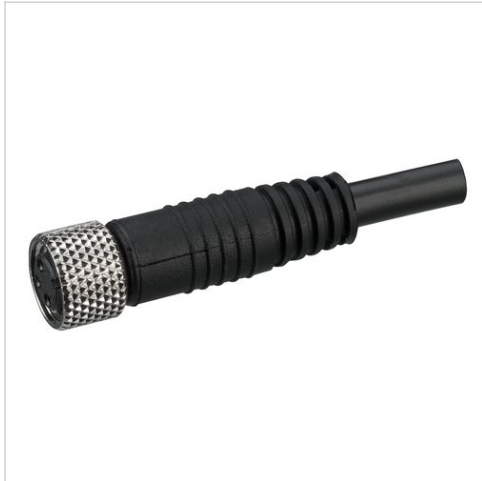


Round plug connector, Series CON-RD

- Socket M8x1 4-pin A-coded straight 180°
- open cable ends
- with cable
- UL (Underwriters Laboratories)
- unshielded



Ambient temperature min./max.	-40 ... 85 °C
Operational voltage	48 V AC/DC
Protection class	IP67
Wire cross-section	0,25 mm ²
Weight	See table below

1	—	BN
2	—	WH
3	—	BU
4	—	BK

Technical data

Part No.	Max. current	Number of wires	Cable-Ø	Cable length	Certification	Weight
1834484144	4 A	4	4,5 mm	3 m	UL (Underwriters Laboratories)	0,087 kg
1834484146	4 A	4	4,5 mm	5 m	UL (Underwriters Laboratories)	0,14 kg

Technical information

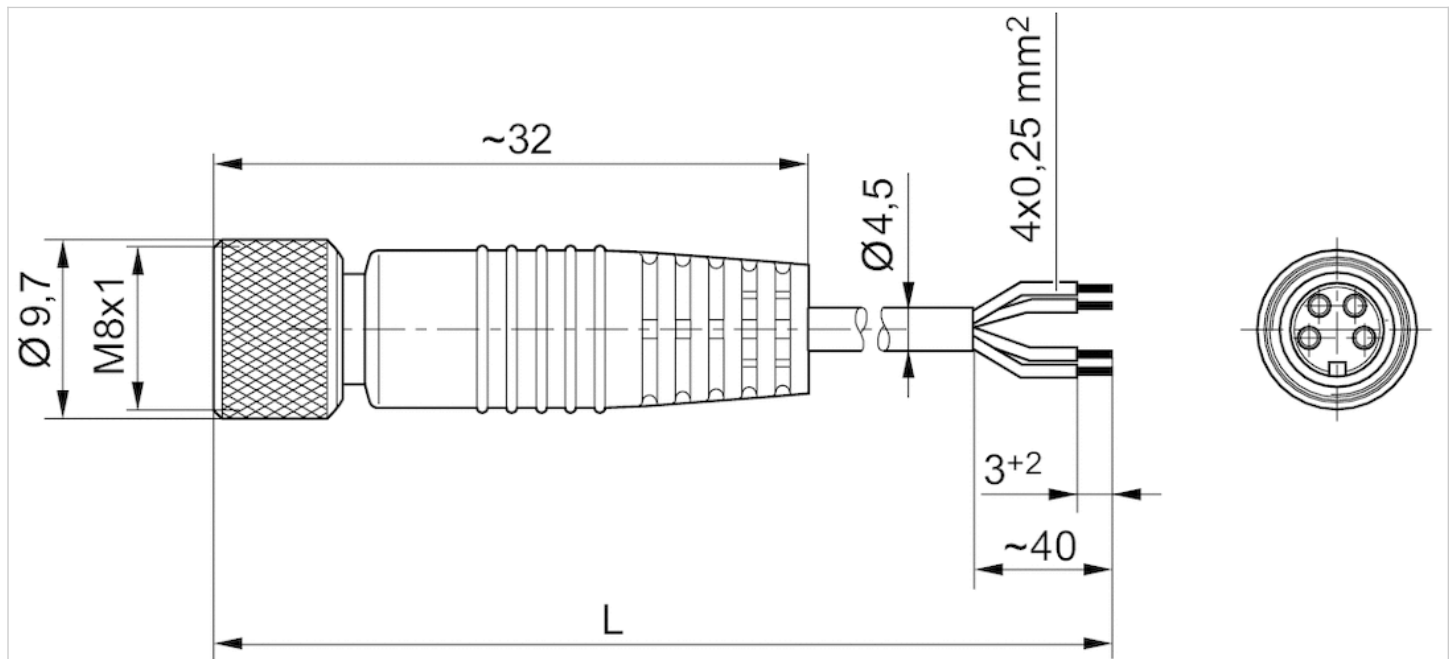
The specified protection class is only valid in assembled and tested state.

Technical information

Material	
Housing	Polyurethane
Cable sheath	Polyurethane

Dimensions

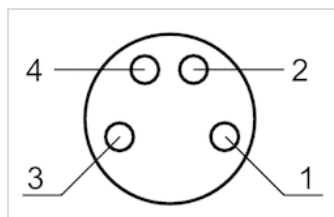
Dimensions



L = length

Pin assignments

Pin assignment socket



(1) BN=brown (2) WH=white (3) BU=blue (4) BK=black