

Series QR1-AGS

- Qn 1→2 = 500-1600 l/min

- External thread / push-in fitting



Version

Working pressure min./max.

Ambient temperature min./max.

Medium temperature min./max.

Medium

Weight

Poppet valve

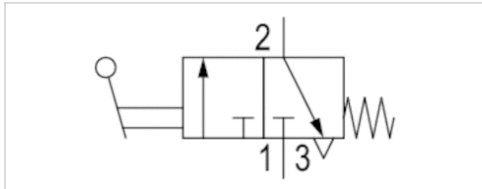
0 ... 10 bar

0 ... 60 °C

0 ... 60 °C

Compressed air

See table below



Technical data

Part No.	Port 1	Port 2	Flow	Delivery unit	Weight
			Qn 1→2		
R412005470	G 1/8	Ø 6	500 l/min	5 piece	0,032 kg
R412005471	G 1/8	Ø 8	550 l/min	5 piece	0,033 kg
R412005472	G 1/4	Ø 6	500 l/min	5 piece	0,039 kg
R412005473	G 1/4	Ø 8	550 l/min	5 piece	0,04 kg
R412005474	G 1/4	Ø 10	1500 l/min	5 piece	0,06 kg
R412005475	G 1/4	Ø 12	1600 l/min	5 piece	0,063 kg

Nominal flow Qn at 6 bar and $\Delta p = 1$ bar

Technical information

Versions with connection threads can be rotated by 360°.

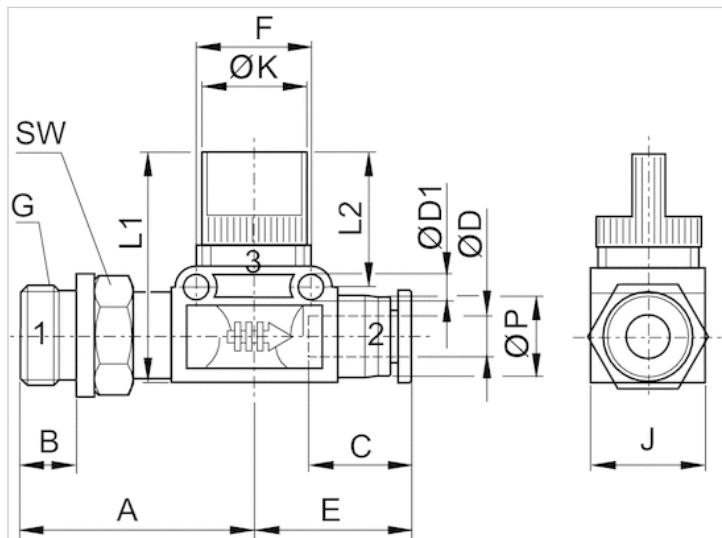
Flow direction: 1 to 2

Technical information

Material	
Housing	Polybutyleneterephthalate
Seals	Acrylonitrile butadiene rubber
Hand lever	Polybutyleneterephthalate

Dimensions

Dimensions



Dimensions

Part No.	Port G	Ø D	A	B	C	Ø D1	E	F	J	Ø K	L1	L2	SW	Ø P
R412005470	G 1/8	6	33.5	5	17	4.2	25.2	18.1	17.5	16.3	40.5	22	14	12.4
R412005471	G 1/8	8	33.5	5	18.5	4.2	27.7	18.1	17.5	16.3	40.5	22	14	14.4
R412005472	G 1/4	6	36.5	6	17	4.2	25.2	18.1	17.5	16.3	40.5	22	14	12.4
R412005473	G 1/4	8	36.5	6	18.5	4.2	27.7	18.1	17.5	16.3	40.5	22	14	14.4
R412005474	G 1/4	10	40.9	6	21	4.2	31.4	24.4	21	19.2	40.4	19.2	17	17.6
R412005475	G 1/4	12	40.9	6	22.5	4.2	34.2	24.4	21	19.2	40.4	19.2	17	21