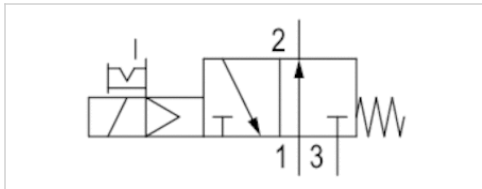


# 3/2-directional valve, Series 589

- Qn = 520 l/min
- NO
- Pipe connection
- Compressed air connection output : Ø6x1
- Electrical connection : Plug, ISO 15217, form C
- single valve
- Manual override : with detent
- With spring return
- Pilot : internal



Version	Poppet valve
Activation	Electrically
Pilot	internal
Sealing principle	Soft sealing
Working pressure min./max.	3 ... 8 bar
Ambient temperature min./max.	-15 ... 50 °C
Medium temperature min./max.	-15 ... 50 °C
Medium	Compressed air
Max. particle size	5 µm
Oil content of compressed air	0 ... 1 mg/m <sup>3</sup>
Nominal flow Qn	See table
Protection class with connection	IP65
Reverse polarity protection	Protected against polarity reversal
Duty cycle	100 %
Typ. switch-on time	18 ms
Typ. switch-off time	16 ms
Weight	0,093 kg

## Technical data

Part No.		MO	Compressed air connection	
			Input	Output
5894410210	NO		Ø6x1	Ø6x1
5894410220	NO		Ø6x1	Ø6x1
5894410620	NO		Ø6x1	Ø6x1
5894415220	NO		Ø6x1	Ø6x1
5894415270	NO		Ø6x1	Ø6x1
5894415280	NO		Ø6x1	Ø6x1
5894415680	NO		Ø6x1	Ø6x1
5894610210	NO		Ø 8x1	Ø 8x1
5894610220	NO		Ø 8x1	Ø 8x1
5894610620	NO		Ø 8x1	Ø 8x1
5894615220	NO		Ø 8x1	Ø 8x1
5894615270	NO		Ø 8x1	Ø 8x1
5894615280	NO		Ø 8x1	Ø 8x1
5894615680	NO		Ø 8x1	Ø 8x1

Part No.	Compressed air connection	Operationalvoltage	
	Exhaust	DC	AC 50 Hz
5894410210	Ø 8x1	12 V	-
5894410220	Ø 8x1	24 V	-
5894410620	Ø 8x1	24 V	-
5894415220	Ø 8x1	-	24 V
5894415270	Ø 8x1	-	110 V
5894415280	Ø 8x1	-	230 V
5894415680	Ø 8x1	-	230 V
5894610210	Ø 8x1	12 V	-
5894610220	Ø 8x1	24 V	-
5894610620	Ø 8x1	24 V	-
5894615220	Ø 8x1	-	24 V
5894615270	Ø 8x1	-	110 V
5894615280	Ø 8x1	-	230 V
5894615680	Ø 8x1	-	230 V

Part No.	Operationalvoltage	Voltage tolerance	Voltage tolerance	Voltage tolerance
	AC 60 Hz	DC	AC 50 Hz	AC 60 Hz
5894410210	-	-10% / +10%	-	-
5894410220	-	-10% / +10%	-	-
5894410620	-	-10% / +10%	-	-
5894415220	24 V	-	-10% / +15%	-10% / +15%
5894415270	110 V	-	-10% / +15%	-10% / +15%
5894415280	230 V	-	-10% / +15%	-10% / +15%
5894415680	230 V	-	-10% / +15%	-10% / +15%
5894610210	-	-10% / +10%	-	-
5894610220	-	-10% / +10%	-	-
5894610620	-	-10% / +10%	-	-
5894615220	24 V	-	-10% / +15%	-10% / +15%
5894615270	110 V	-	-10% / +15%	-10% / +15%
5894615280	230 V	-	-10% / +15%	-10% / +15%
5894615680	230 V	-	-10% / +15%	-10% / +15%

Part No.	Power consumption	Holding power	Holding power	Switch-on power
	DC	AC 50 Hz	AC 60 Hz	AC 50 Hz
5894410210	1,6 W	-	-	-
5894410220	1,6 W	-	-	-
5894410620	1,7 W	-	-	-
5894415220	-	2,2 VA	1,8 VA	3 VA
5894415270	-	3 VA	2,4 VA	4,2 VA
5894415280	-	2,3 VA	2 VA	3,2 VA
5894415680	-	2,5 VA	2,2 VA	3,4 VA
5894610210	1,6 W	-	-	-
5894610220	1,6 W	-	-	-
5894610620	1,7 W	-	-	-
5894615220	-	2,2 VA	1,8 VA	3 VA
5894615270	-	3 VA	2,4 VA	4,2 VA
5894615280	-	2,3 VA	2 VA	3,2 VA
5894615680	-	2,5 VA	2,2 VA	3,4 VA

Part No.	Switch-on power	Nominal flow Qn	LED status display
	AC 60 Hz		
5894410210	-	520 l/min	-
5894410220	-	520 l/min	-
5894410620	-	520 l/min	Red
5894415220	2,6 VA	520 l/min	-
5894415270	3,4 VA	520 l/min	-
5894415280	2,8 VA	520 l/min	-
5894415680	3 VA	520 l/min	Red
5894610210	-	750 l/min	-
5894610220	-	750 l/min	-
5894610620	-	750 l/min	Red
5894615220	2,6 VA	750 l/min	-
5894615270	3,4 VA	750 l/min	-
5894615280	2,8 VA	750 l/min	-
5894615680	3 VA	750 l/min	Red

## Technical information

The min. control pressure must be adhered to, since otherwise faulty switching and valve failure may result!

The pressure dew point must be at least 15 °C under ambient and medium temperature and may not exceed 3 °C .

The oil content of compressed air must remain constant during the life cycle.

Use only the approved oils from AVENTICS. Further information can be found in the "Technical information" document (available in the MediaCentre).

At an ambient temperature of 40 °C the max. working pressure is 10 bar .

Versions with voltage of less than 50 V DC do not have a protective ground.

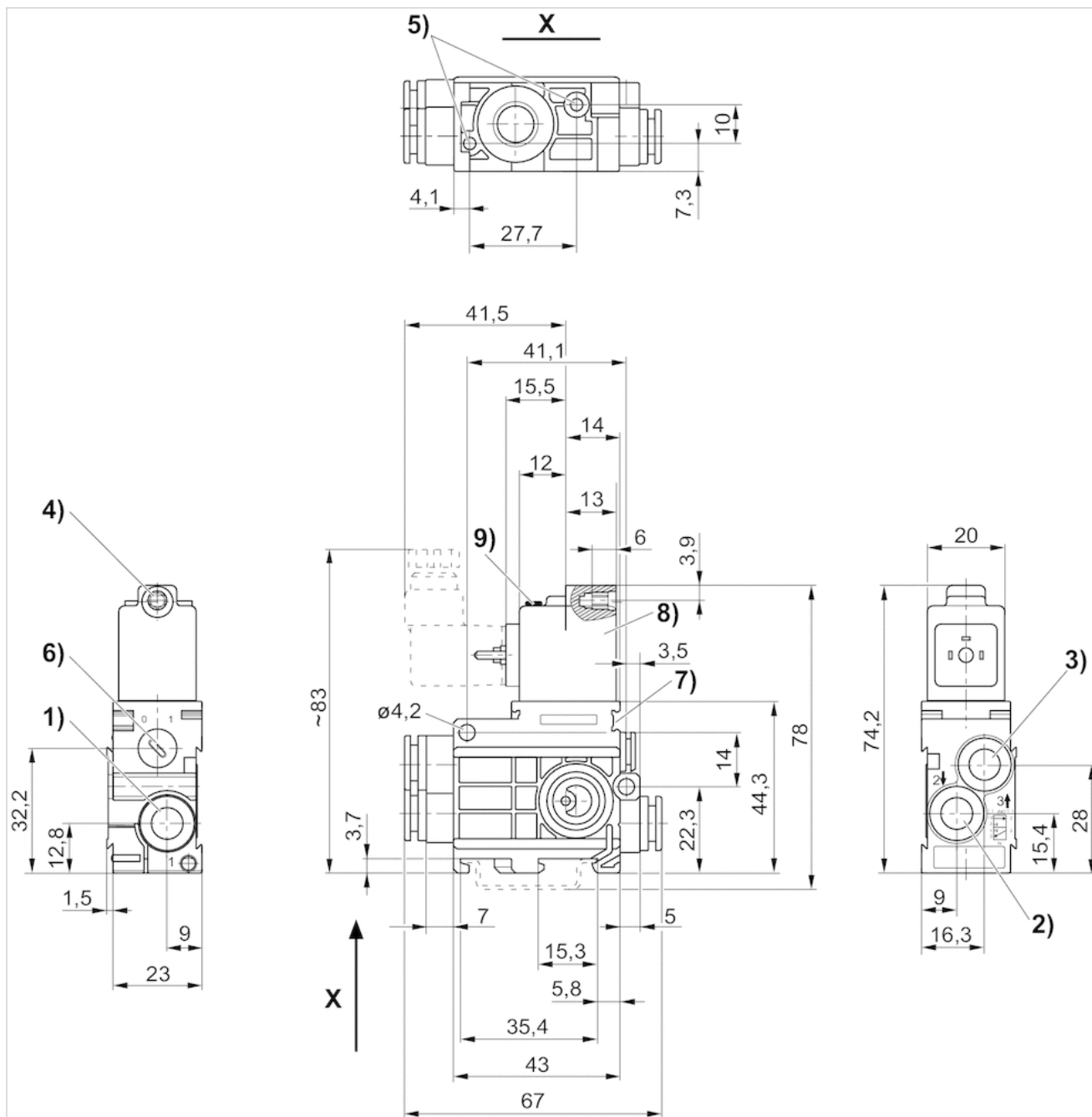
Working pressure with vacuum operation, connection 1: min. 3 bar , connection 3: min. - 0.95 bar

## Technical information

Material	
Housing	Polyamide
Seals	Acrylonitrile butadiene rubber Polyurethane

# Dimensions

## Dimensions



1) port 1 2) port 2 3) port 3 4) core Ø for M 5 5) pocket hole 6 mm deep for 3.5 self-tapping screw 6) manual override 7) mounting space for name plate 8) coil can be rotated at 180° intervals 9) LED