

# Flat suction gripper, Series SGN

- F = 1,5 N

- external diameter 6,3 mm

- External thread



Ambient temperature min./max. -10 ... 70 °C  
 Min./max. temporary ambient temperature (30 s) -30 ... 120 °C  
 Hardness according to standard 55 ± 5 Shore A  
 Abrasion value according to DIN 535 16 100-120 mm<sup>3</sup>  
 Weight See table

## Technical data

Part No.	Compressed air connection	external diameter	Holding force	Volume	Max. curving on object Rmin
			*)		
2732060000	M5	6,3 mm	1,5 N	0,017 cm <sup>3</sup>	5 mm
2732100000	M5	10 mm	4 N	0,065 cm <sup>3</sup>	9 mm
2732160000	M5	16 mm	8 N	0,33 cm <sup>3</sup>	12 mm
2732200000	G 1/8	20 mm	21,5 N	0,5 cm <sup>3</sup>	13 mm
2732250000	G 1/8	25 mm	26 N	1,1 cm <sup>3</sup>	18 mm
2732300000	G 1/8	30 mm	35 N	0,562 cm <sup>3</sup>	55 mm

Part No.	Delivery unit	Weight
2732060000	1 piece	0,002 kg
2732100000	1 piece	0,003 kg
2732160000	1 piece	0,004 kg
2732200000	1 piece	0,005 kg
2732250000	1 piece	0,007 kg
2732300000	1 piece	0,01 kg

## Technical information

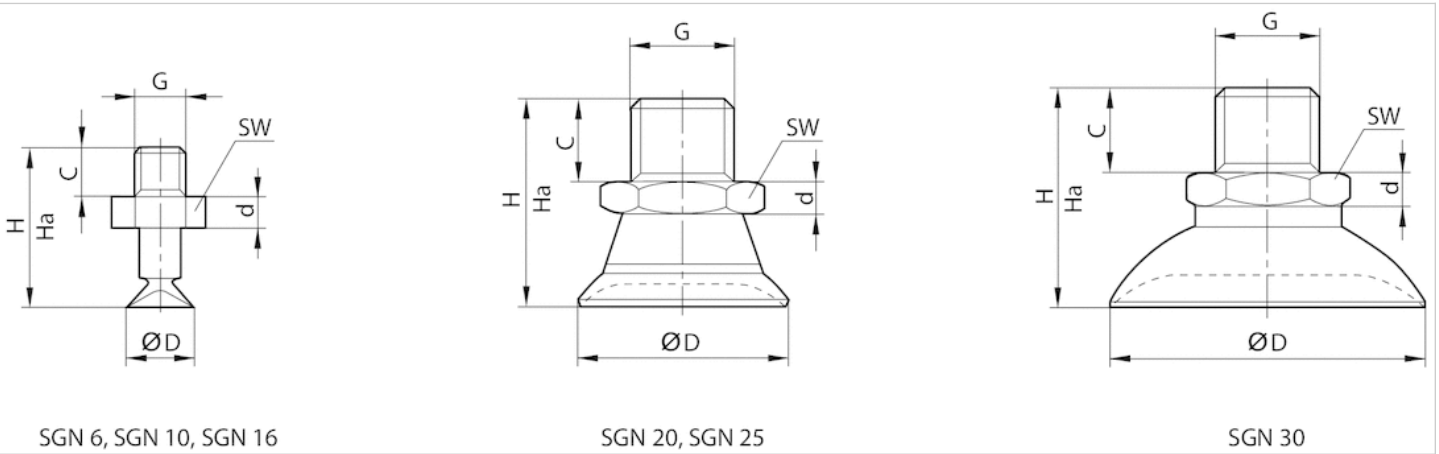
To be used on even, smooth, and sensitive surfaces.

## Technical information

Material	
Connector	Aluminum
Vacuum	Acrylonitrile butadiene rubber

## Dimensions

### Dimensions



## Dimensions

Part No.	ØD	G	H	Ha*)	C	d	SW
2732060000	6,3 mm	M5	15	13.5	4.5	3	8
2732100000	10 mm	M5	20	18	4.5	3	8
2732160000	16 mm	M5	21	17	4.5	3	8
2732200000	20 mm	G 1/8	19.5	17.5	8	3	14
2732250000	25 mm	G 1/8	20	17.5	8	3	14
2732300000	30 mm	G 1/8	20.5	18	8	3	14

\*) Height for vacuum operation

## Diagrams

### Max. curving on object Rmin

