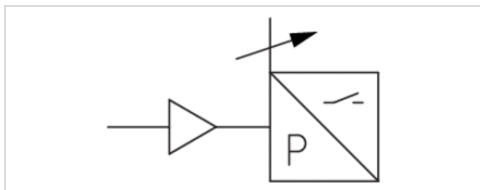


Pressure sensor, Series PE6

- Operating pressure -1 ... 0 0 ... 10 bar
- electronic
- Output signal digital 2 x PNP
- with sensor element based on piezo resistance
- Electr. connection Plug M8x1 4-pin
- Compressed air connection Flange with O-ring Ø 1,2x1



Type	electronic
Function	2 x PNP
Compressed air connection	Flange with O-ring Ø 1,2x1
Working pressure min./max.	See table below
Ambient temperature min./max.	0 ... 60 °C
Medium temperature min./max.	0 ... 50 °C
Medium	Compressed air
Max. oil content of compressed air	1 mg/m ³
Measurement	Relative pressure
Display	LED
Switching logic	NO (make contact)
Operating pressure display	2 LED
Shock resistance max.	10 g
Vibration resistance	10 - 55 Hz, 0,1 mm
Repeatability (% of full scale value)	± 1 %
Switching time	2 ms
Switching point	adjustable 0 ... 100%
Resetting point	adjustable 0 ... 100%
Quiescent current consumption	20 mA
Short circuit resistance	clocking
Mounting types	via flange
Protection class	IP40
Electr. connection	Plug M8x1 4-pin
Weight	0,006 kg

Technical data

Part No.	Type	Operating pressure range		Protection against overpressure
		min./max.		
R412007880	PE6-P2-L HYST. FEST	-1 ... 0 bar		5 bar
R412007881	PE6-P2-L HYST EINST	-1 ... 0 bar		5 bar
R412007882	PE6-P2-S HYST FEST	-1 ... 0 bar		5 bar
R412007883	PE6-P2-S HYST EINST	-1 ... 0 bar		5 bar
R412007884	PE6-P2-L HYST. FEST	0 ... 10 bar		15 bar
R412007885	PE6-P2-L HYST. EINST	0 ... 10 bar		15 bar
R412007886	PE6-P2-S HYST. FEST	0 ... 10 bar		15 bar
R412007887	PE6-P2-S HYST. EINST	0 ... 10 bar		15 bar

Part No.	Output signal	Precision (% of full scale value)	Hysteresis
	digital		
R412007880	2 x PNP	± 3 %	2% of the final value, fixed

Part No.	Output signal	Precision (% of full scale value)	Hysteresis
	digital		
R412007881	2 x PNP	± 3 %	adjustable
R412007882	2 x PNP	± 3 %	2% of the final value, fixed
R412007883	2 x PNP	± 3 %	adjustable
R412007884	2 x PNP	± 3 %	2% of the final value, fixed
R412007885	2 x PNP	± 3 %	adjustable
R412007886	2 x PNP	± 3 %	2% of the final value, fixed
R412007887	2 x PNP	± 3 %	adjustable

Part No.	Mounting orientation
R412007880	L (horizontal)
R412007881	L (horizontal)
R412007882	S (vertical)
R412007883	S (vertical)
R412007884	L (horizontal)
R412007885	L (horizontal)
R412007886	S (vertical)
R412007887	S (vertical)

Technical information

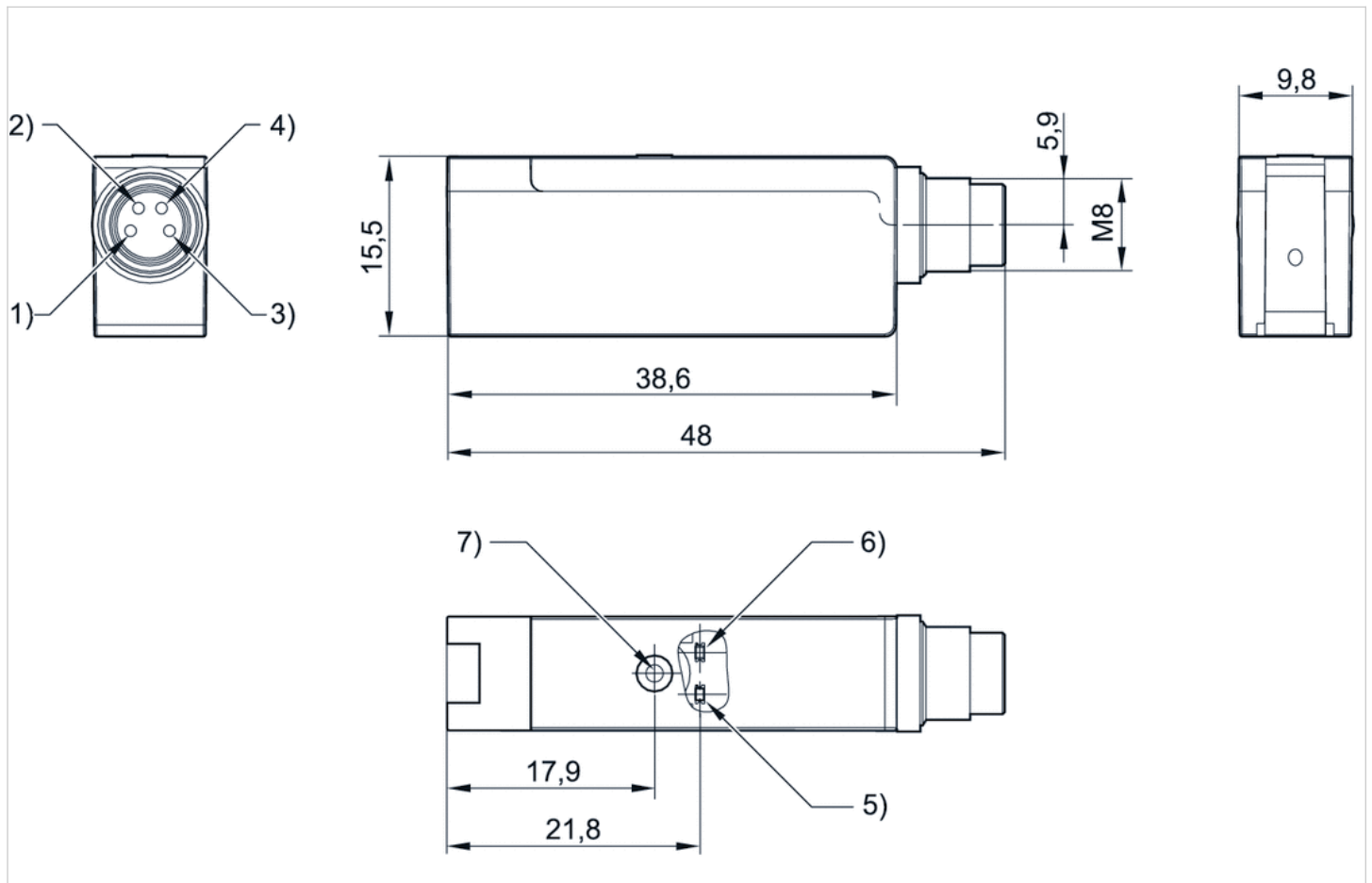
Notice: This product may only be operated with oil-free, dry compressed air.
Flange plate with screws and seals in scope of delivery

Technical information

Material	
Housing	Polycarbonate
Seals	Acrylonitrile butadiene rubber
Electr. connection	Brass, nickel-plated

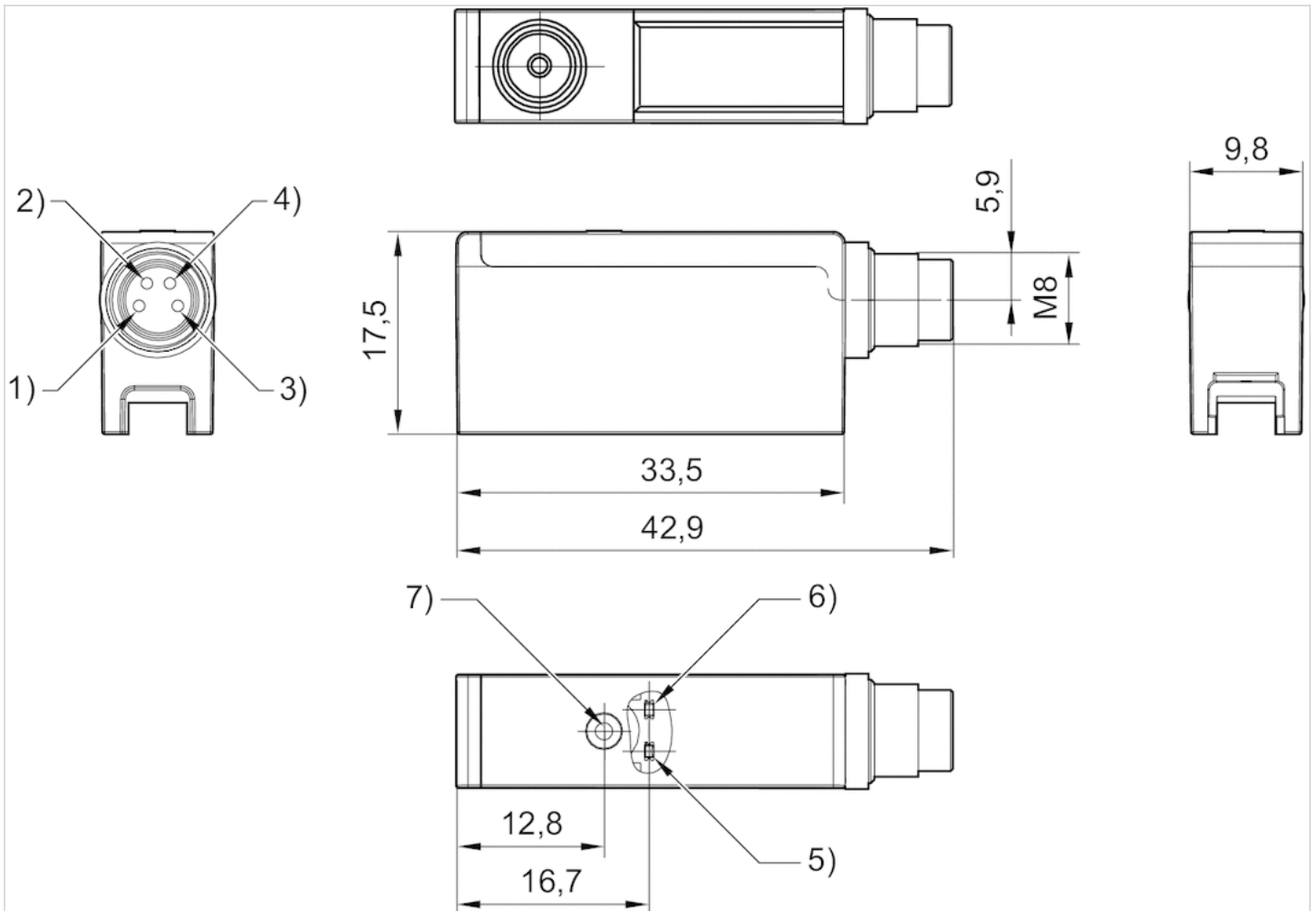
Dimensions

PE6...-S



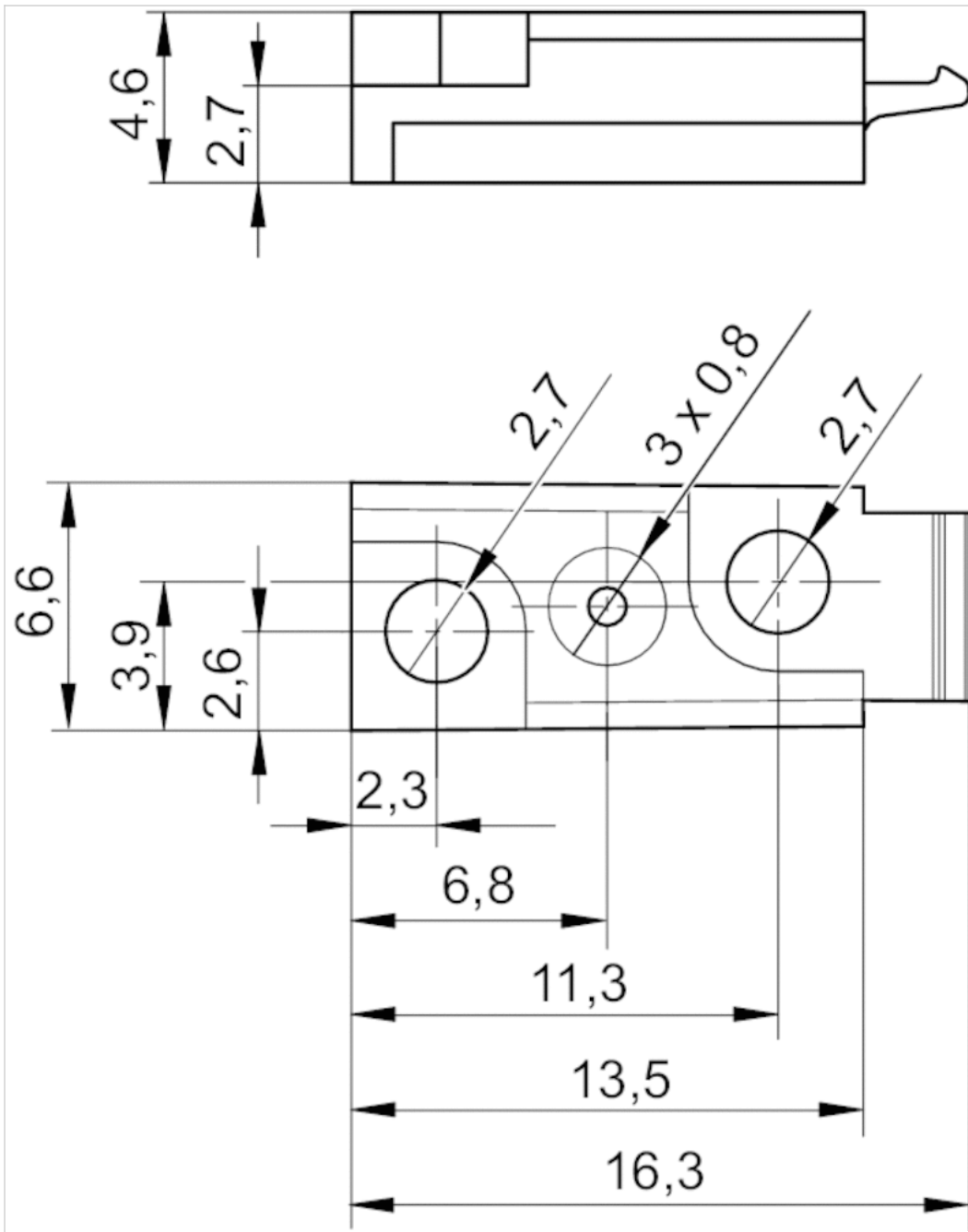
- 1) +UB
- 2) Switch output 2
- 3) GND
- 4) Switch output 1
- 5) LED for switch output 2) 6) LED for switch output 1) 7) setting knob

PE6...-L

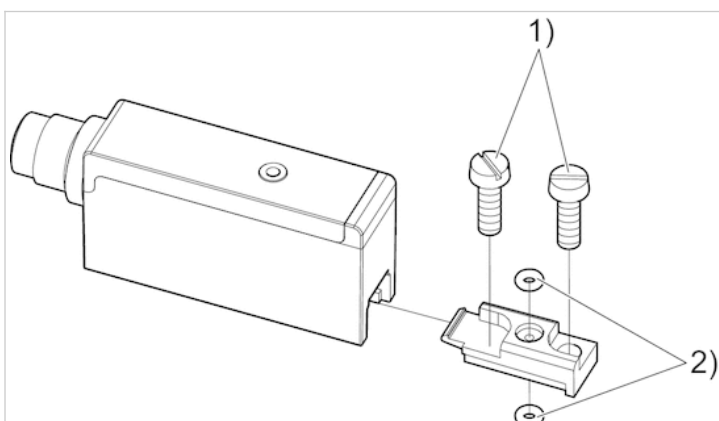


- 1) +UB
- 2) Switch output 2
- 3) GND
- 4) Switch output 1
- 5) LED for switch output 26
- 6) LED for switch output 17
- 7) setting knob

Flange plate PE6



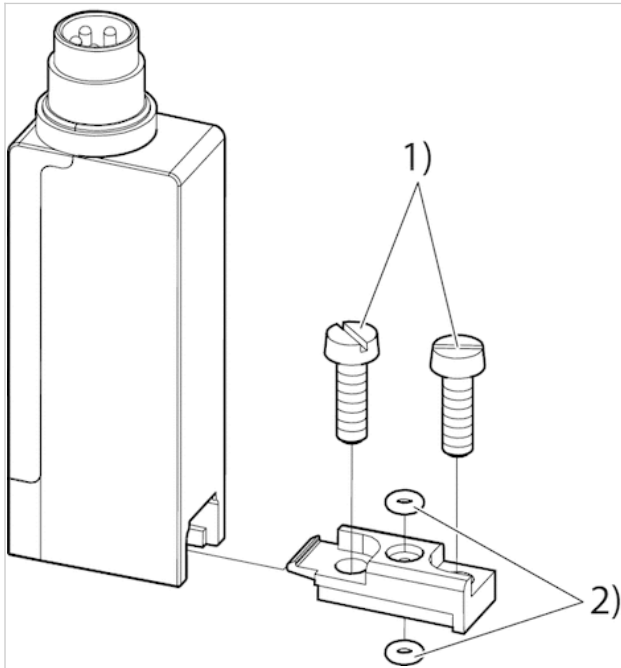
Pressure sensor PE6...-L



1) Cylinder screw M2,5x8

2) O-ring Ø1,2x1 (included)

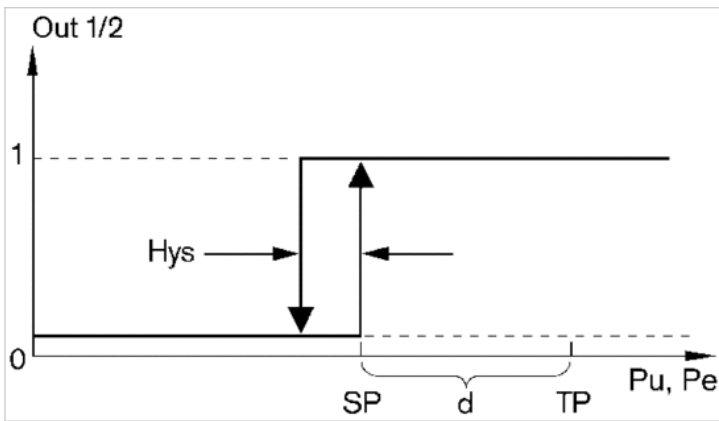
Pressure sensor PE6...-S



- 1) Cylinder screw M2,5x8
- 2) O-ring Ø1,2x1 (included)

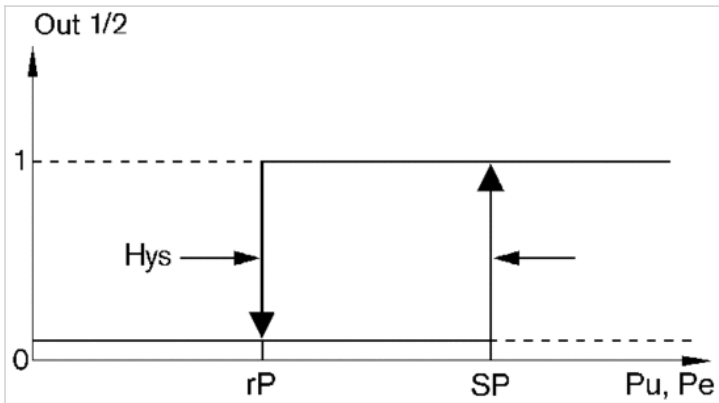
Diagrams

Switching function (fixed hysteresis)



Vacuum sensor: $d=20\%$
 Pressure sensor: $d=5\%$
 SP = switch-on point, TP = teach point
 OUT: switch output
 Pu = pressure 0 - vacuum sensor Pe = pressure > 0 - pressure sensor

Switching function (adjustable hysteresis)



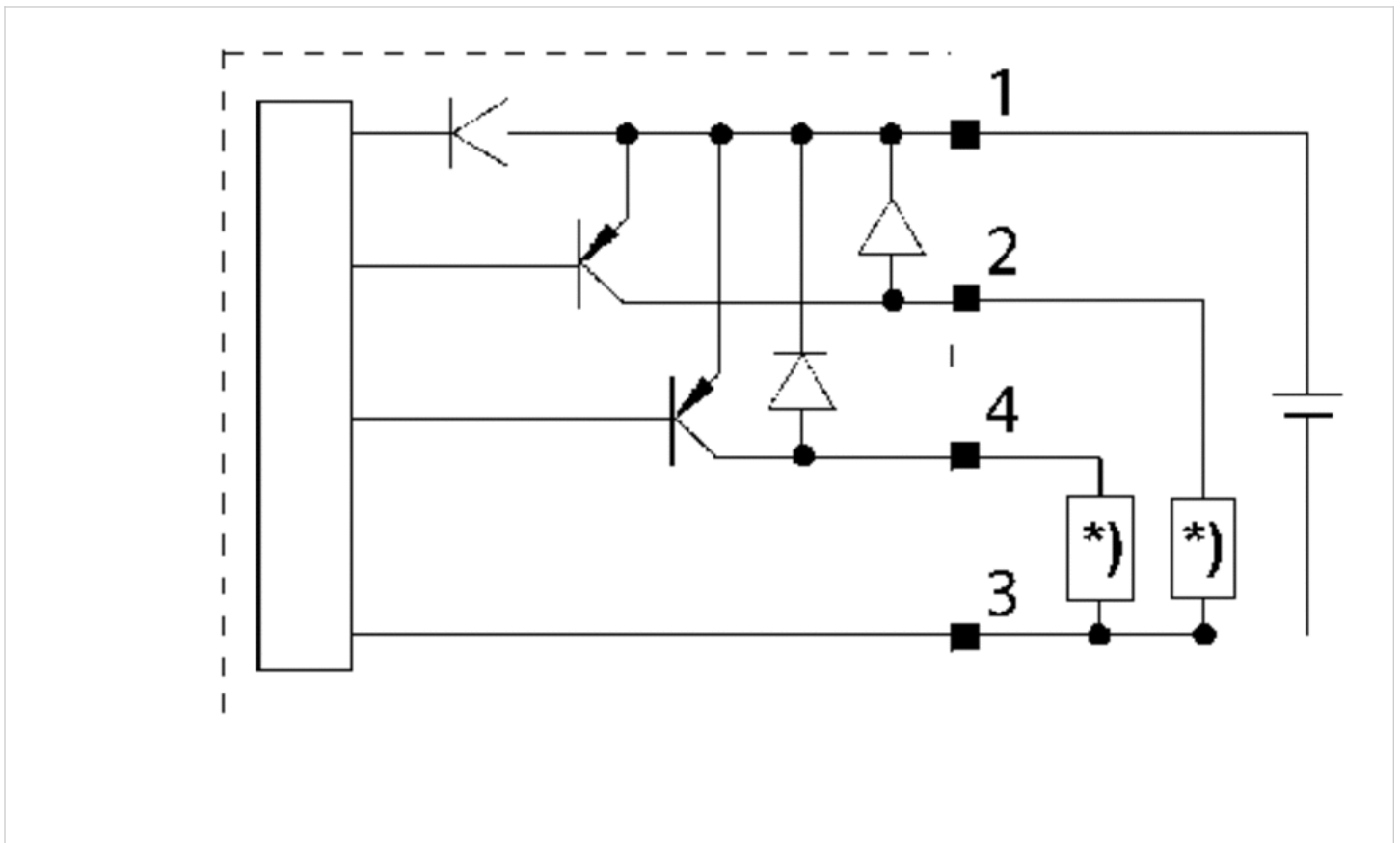
SP = switch-on point, rP = resetting point

OUT: switch output

Pu = pressure 0 - vacuum sensor Pe = pressure > 0 - pressure sensor

Circuit diagram

Block diagram



* Storable position