

Series NU1

- 1x banjo union
- G 1/8
- Ø 4
- NU1-S-RV1



Working pressure min./max. 0 ... 10 bar
Ambient temperature min./max. -10 ... 60 °C

Technical data

Part No.	Port G	Port D	Delivery unit
1823391110	G 1/8	Ø 4	25 piece
1823391111	G 1/8	Ø 6	25 piece
1823391112	G 1/4	Ø 4	25 piece
1823391113	G 1/4	Ø 6	25 piece

Technical information

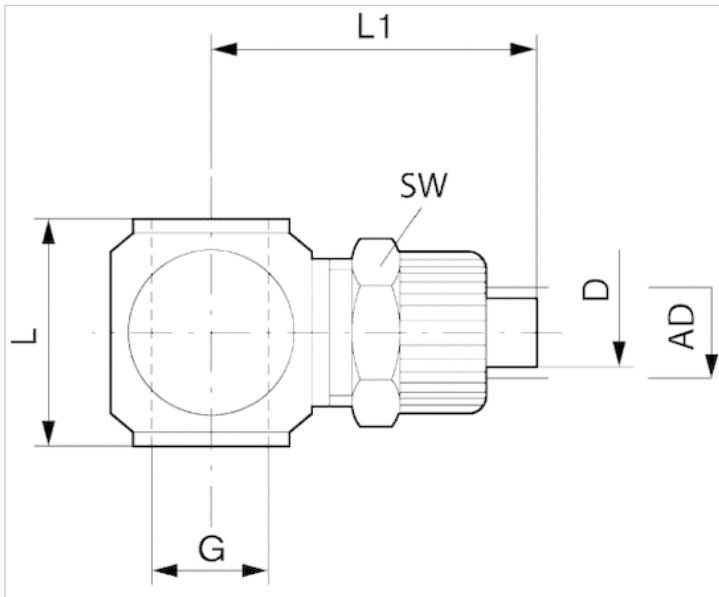
For further information about assembling and tolerances of adaptable tubing can be found in the "Technical information" document (available in the MediaCentre).

Technical information

Material	
Housing	Polyoxymethylene

Dimensions

Dimensions



Dimensions

Part No.	Port D	Port G	L	L1	SW	AD 1)
1823391110	Ø 4	G 1/8	16.3	24.5	12	4
1823391111	Ø 6	G 1/8	16.3	24.5	14	6
1823391112	Ø 4	G 1/4	16.3	26.5	12	4
1823391113	Ø 6	G 1/4	16.3	26.5	14	6

Connection D = inside diameter of the tubing to be used

1) AD = external diameter of the tubing to be used