

# Guide unit, Series GH1

- Ø 12-25 mm
- Plain bearing
- For standard cylinders ISO 6432



Bearing type

Plain bearing

Ambient temperature min./max.

-20 ... 80 °C

## Technical data

Suitable piston Ø	12 mm	20 mm	25 mm
Stroke 50	0821401295	0821401200	0821401210
100	0821401296	0821401201	0821401211
160	-	0821401202	0821401212
200	0821401297	0821401203	0821401213
250	-	0821401204	0821401214
400	-	0821401205	0821401215
600	-	0821401206	0821401216
800	-	0821401207	0821401217

## Technical data

Suitable piston Ø	12 mm	20 mm	25 mm
Weight 0 mm stroke	0,395 kg	0,73 kg	0,73 kg
+10 mm stroke	0,008 kg	0,012 kg	0,012 kg

## Technical information

Guide units for cylinder Ø 12 also fit on cylinder Ø 16

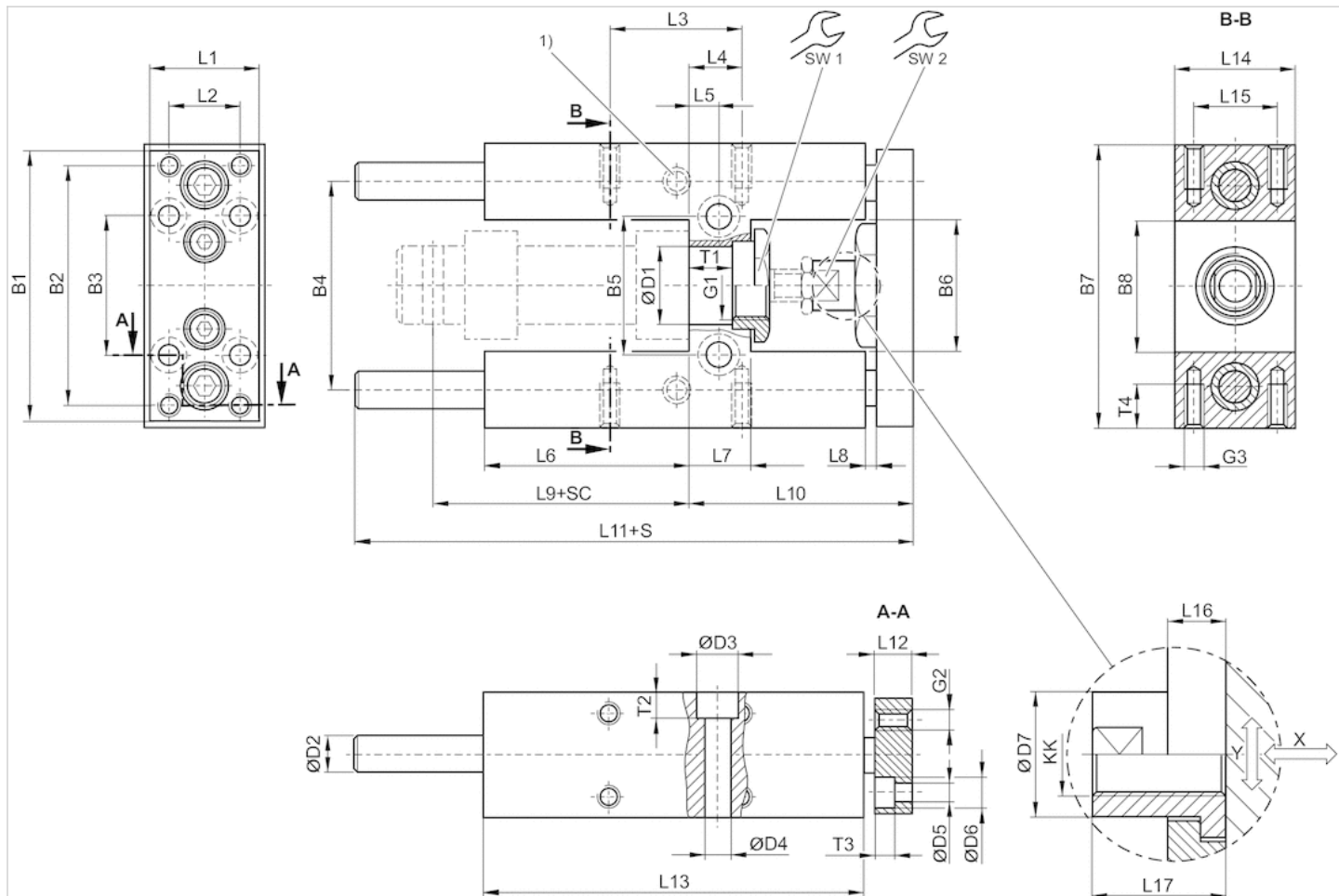
## Technical information

Material	
Bearing housings	Aluminum, colorless anodized
Bearing type	Sintered bronze
Carrying plate	Aluminum, colorless anodized

Material	
Flexible coupling in carrying plate	Stainless steel
Guide rods	smooth rolled, Stainless steel

## Dimensions

Ø 12 ... 25 mm



- 1) Lube nipple
- S = stroke
- SC = cylinder stroke
- X = max. play (axial)
- Y = min. play (radial)

## Dimensions

Piston Ø	B1	B2	B3	B4	B5	B6	B7	B8	D1	D2	D3	D4	D5	D6	D7	G1	G2	G3	KK	L1
12 mm	63	54	32	46	24	27	65	27	16 H7	8	-	5.5	4.5	8	10	M16x1,5	M4	M4	M6	27
20 mm	76	68	40	58	38	37	79	37	22 H7	10	11	6.6	5.5	10.5	14.5	M22x1,5	M5	M6	M8	32
25 mm	76	68	40	58	38	37	79	37	22 H7	10	11	6.6	5.5	10.5	14.5	M22x1,5	M5	M6	M10x1,25	32

Piston Ø	L2	L3	L4	L5	L6	L7	L8	L9	L10	L11	L12	L13	L14	L15	L16	L17	SW1	SW2	T1	T2	T3
12 mm	15	32.5	11	6.5	37	13	3	52.6	51	133	10	75	30	22	7	18	19	8	10.6	-	4.6
20 mm	20	32.5	15	8.5	58	17	3	71	65	160.5	12	108	34	23	6	22	27	13	11	7	5.7

UK Office  
5 Caulside Drive  
Antrim  
BT41 2DU  
United Kingdom  
+44 (0) 28 9448 1808

European Office  
Unit 6, Saint Anthony's Business Park  
Dublin  
D22 VW95  
Ireland  
+353 (0) 1 4373653

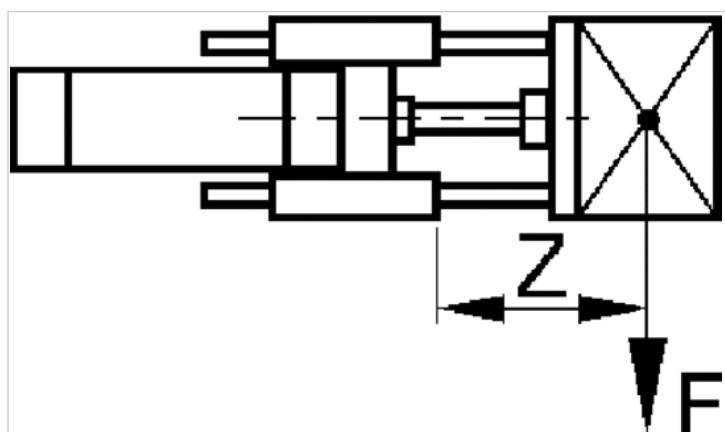


Piston Ø	L2	L3	L4	L5	L6	L7	L8	L9	L10	L11	L12	L13	L14	L15	L16	L17	SW1	SW2	T1	T2	T3
25 mm	20	32.5	15	8.5	58	17	3	76	65	160.5	12	108	34	23	6	17	27	13	11	7	5.7

Piston Ø	T4
12 mm	8
20 mm	14
25 mm	14

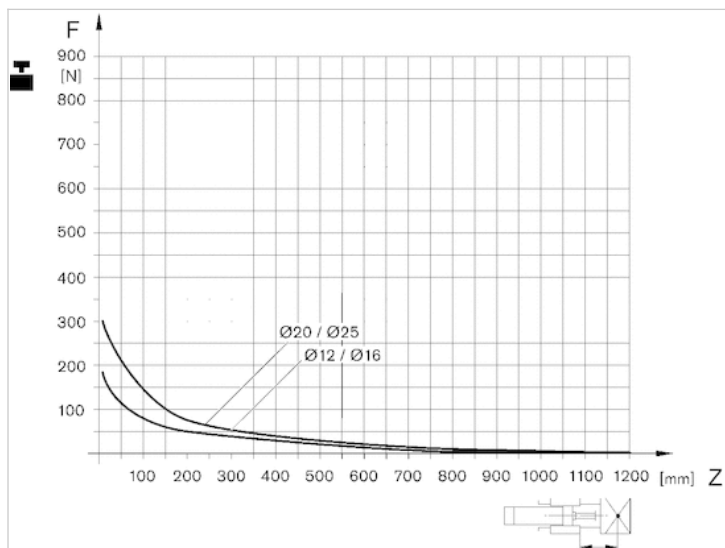
## Diagrams

### Useful load



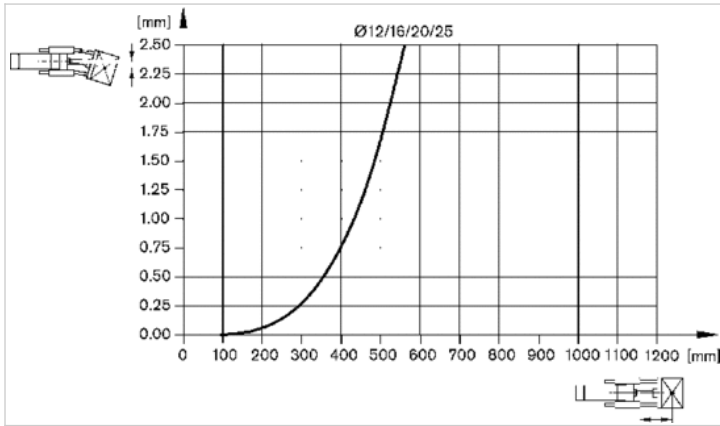
F = Useful load, Z = Projection

### Useful load



F = Useful load, Z = Projection

Bending due to own load



Bending due to 10 N load

