



# SUPPLY RAIL

for mounting of  
monostable/bistable spool valves  
1/4 - 3/8 - 1/2

Series  
**881**

## FEATURES

- Supply rail 1/4 (for valve series 551, L1), 3/8 (for valve series 552, L2) and 1/2 (for valve series 553, L8)
- Easy, quick and cost-effective installation
- Orientable rail mounting for easy adaption to specific machine arrangement
- Available with up to 8 outlets

## GENERAL

**Max. inlet pressure** 0 - 16 bar [1 bar = 100 kPa]  
**Differential pressure** 0 - 10 bar  
**Ambient temperature** -20°C to + 60°C

fluids (*)	temperature range (TS)	seal materials (*)
air, inert gas, filtered	-20°C to + 60°C (1)	NBR (nitrile)

(1) -20°C to +90°C when using valves other than those of series 551/521/L1/552/L2/553/L8.



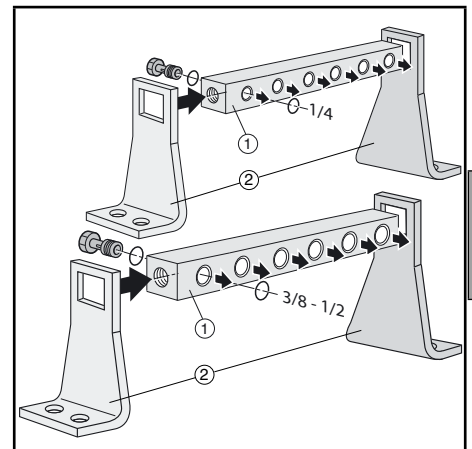
## MATERIALS IN CONTACT WITH FLUID

(\*) Ensure that the compatibility of the fluids in contact with the materials is verified

**Supply rail** Aluminium  
**Banjo bolts** Brass nickel plated  
**O-rings** NBR

## OTHER MATERIALS

**Mounting brackets** Steel



① Supply rail  
 ② Set of 2 mounting brackets

## SPECIFICATIONS

supply inlet size	orifice size	flow coefficient Kv		operating pressure differential (bar)			number of outlets	catalogue number (supply rail for «n» valves)		
				min.	max. (PS)			for valves G 1/4 (series 521, 551, L1, L2,...)	for valves G 3/8 (series 552, L2,...)	for valves G 1/2 (series 553, L8,...)
~	=	air inert gas (*)								
G	(mm)	(m³/h)	(l/min)							
<b>Supply rail with seals and banjo bolts, without mounting brackets</b>										
3/8 (outlets 2..8 x 1/4)	7	1,2	20	0	10	10	2	<b>88100034</b>	-	-
							3	<b>88100035</b>	-	-
							4	<b>88100036</b>	-	-
							5	<b>88100037</b>	-	-
							6	<b>88100038</b>	-	-
							7	<b>88100039</b>	-	-
							8	<b>88100040</b>	-	-
3/4 (outlets 2..8 x 3/8 or 1/2)	12 (3/8) 13 (1/2)	2,7 (3/8) 3 (1/2)	45 (3/8) 50 (1/2)	0	10	10	2	-	<b>88100800</b>	<b>88100759</b>
							3	-	<b>88100801</b>	<b>88100760</b>
							4	-	<b>88100802</b>	<b>88100761</b>
							5	-	<b>88100803</b>	<b>88100762</b>
							6	-	<b>88100804</b>	<b>88100763</b>
							7	-	<b>88100805</b>	<b>88100764</b>
							8	-	<b>88100806</b>	<b>88100765</b>
							<b>Set of 2 mounting brackets</b>			
-	-	-	-	-	-	-	<b>88100049</b>	<b>88100773</b>		

00194GB-2011/R01  
 Availability, design and specifications are subject to change without notice. All rights reserved.

### OPTIONS

- Other pipe connections are available on request

### INSTALLATION

- The supply rails can be mounted in any position without affecting operation
- Threaded pipe connection is standard: G = G (ISO 228/1)
- Installation/maintenance instructions are included with each supply rail

### DIMENSIONS (mm), WEIGHT (kg)

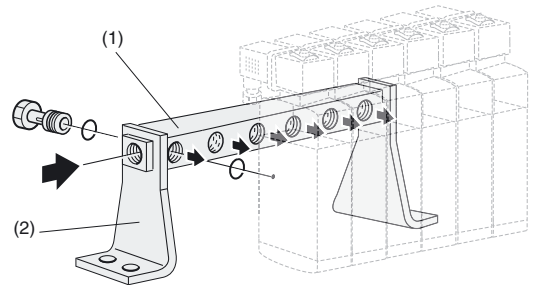
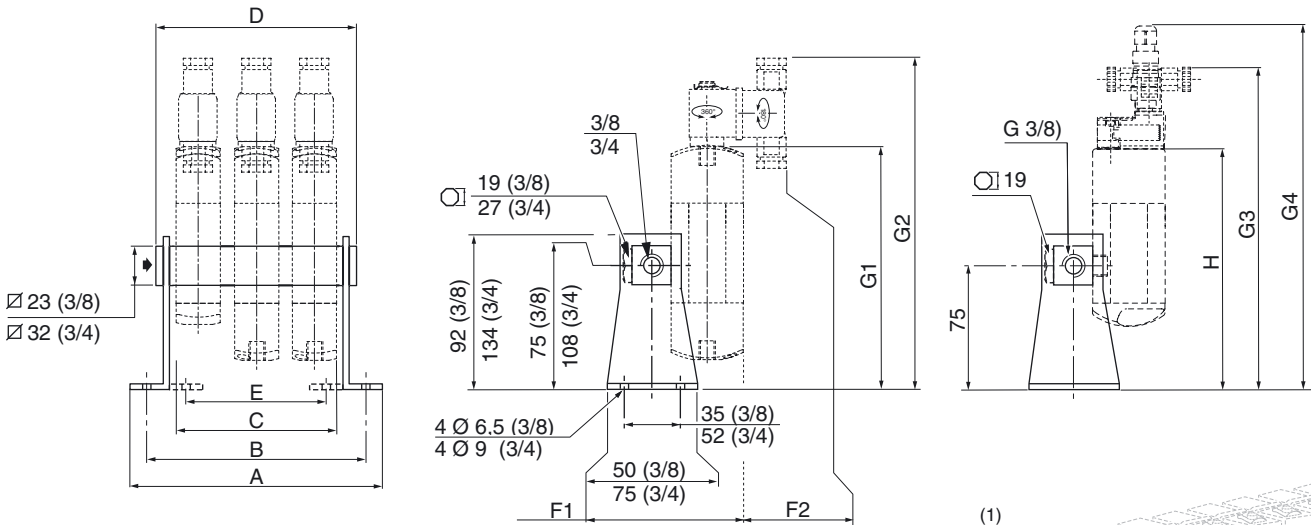


#### TYPE 01- 02

Supply rails  
Aluminium

Type 01 = Inlet G 3/8, outlets G 1/4

Type 02 = Inlet G 3/4, outlets G 3/8 or G 1/2



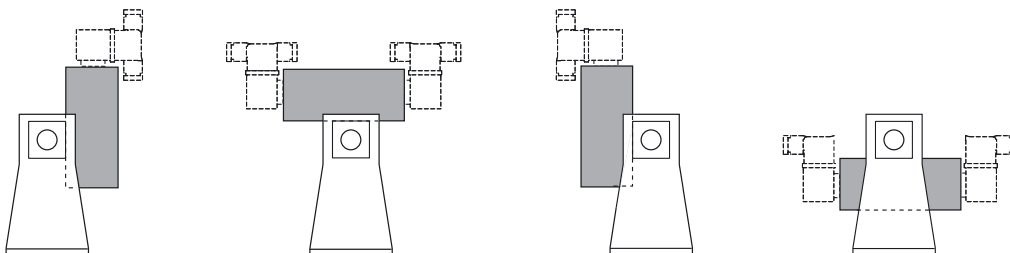
(1) Supply rail  
(2) Set of 2 mounting brackets

type	supply inlet size	number of valves	A	B	C	D	E	weight <sup>(2)</sup>		
								1/4	3/8	1/2
01	3/8	2	108	92	55	78	42	0,125	-	-
		3	136	120	83	106	70	0,176	-	-
		4	164	148	111	134	98	0,225	-	-
		5	192	176	139	162	126	0,276	-	-
		6	220	204	167	190	154	0,326	-	-
		7	248	232	195	218	182	0,374	-	-
02	3/4	2	276	260	223	246	210	0,424	-	-
		3	136	116	81	117	-	-	0,322	0,350
		4	177	157	122	158	-	-	0,454	0,497
		5	218	198	163	199	-	-	0,591	0,648
		6	259	239	204	240	-	-	0,719	0,791
		7	300	280	245	281	-	-	0,844	0,930
		8	341	321	286	322	-	-	0,990	1,091
		8	382	362	327	363	-	-	1,115	1,230

adaptable valves	F1	F2	G1	G2	G3	G4	H
551	82	27	148	194	197	232	147
521	68	26	-	166	-	-	-
L1	78	22	78	160	-	-	-
552	126	20	202	260	-	-	-
L2	88	22	88	168	-	-	-
553	126	20	202	260	-	-	-
L8	111	22	111	256	-	-	-

<sup>(2)</sup> Supply rail with banjo bolts and seals  
Additional weight per set of 2 mounting brackets: G 3/8 outlets 1/4 = 0,186 , G 3/4 outlets 3/8 or 1/2 = 0,416

This mounting arrangement allows valves to be mounted in any of 4 positions.





# SUPPLY RAIL WITH PRESSURE ISOLATION VALVES

for mounting of monostable/bistable valves

1/4

Series  
**881**

## FEATURES

- Supply rail allowing for easy installation of isolation valves during operation without having to cut the general pressure supply
- Supply rail designed for a large variety of 1/4" valves (521, 551, L1, L2)
- Isolation valves, mounting brackets and hardware included for immediate installation
- Large range of optional accessories to allow the rail to be adapted to different uses: 1/8" isolation valve, supply pressure isolation valve, shut-off valve etc.

## GENERAL

**Max. inlet pressure** 0 - 16 bar [1 bar = 100 kPa]  
**Differential pressure** 0 - 10 bar  
**Ambient temperature** -20°C to +90°C

fluids (*)	temperature range (TS)	seal materials (*)
air, inert gas, filtered	- 25°C to + 60°C	NBR (nitrile)

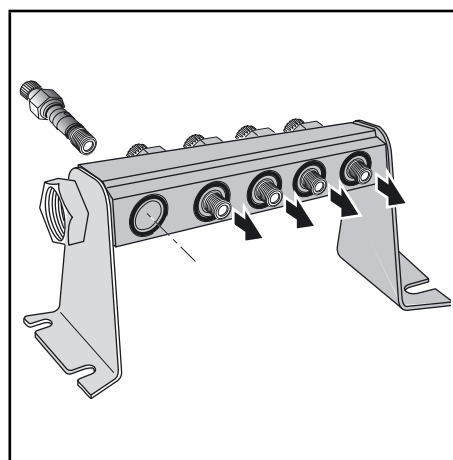
## MATERIALS IN CONTACT WITH FLUID

(\*) Ensure that the compatibility of the fluids in contact with the materials is verified

**Supply rail** Aluminium  
**End pieces** Stainless steel  
**Screw/isolation valve** Stainless steel  
**O-rings** NBR

## OTHER MATERIALS

**Low mounting brackets (65 mm)** Stainless steel



## SPECIFICATIONS

supply inlet size	orifice size	flow coefficient Kv		operating pressure differential (bar)			number of outlets	catalogue number  (supply rail for «n» valves with end pieces and low 65 mm mounting brackets)
				min.	max. (PS)			
G	(mm)	(m³/h)	(l/min)		~	=		
<b>Supply rail with isolation valves, end pieces and low mounting brackets</b>								
1/2 (outlets 2..12 x 1/4)	6,8	1,1	18,3	0	10	10	2	<b>88100915</b>
							3	<b>88100916</b>
							4	<b>88100917</b>
							5	<b>88100918</b>
							6	<b>88100919</b>
							7	<b>88100920</b>
							8	<b>88100921</b>
							9	<b>88100922</b>
							10	<b>88100923</b>
							11	<b>88100924</b>
							12	<b>88100925</b>

00194GB-2007/R01  
Availability, design and specifications are subject to change without notice. All rights reserved.

### OPTIONS

- High mounting brackets (120 mm) for lateral and bottom mounting of bistable valves
- Isolation valve with G 1/8 thread for valve type L1
- Supply pressure isolation valve
- Shut-off valve 1/4
- Other pipe connections are available on request

### INSTALLATION

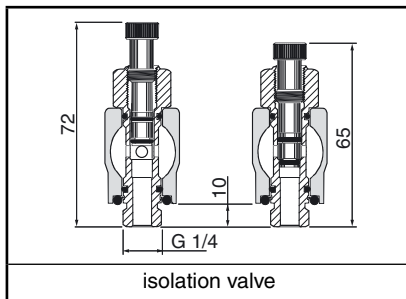
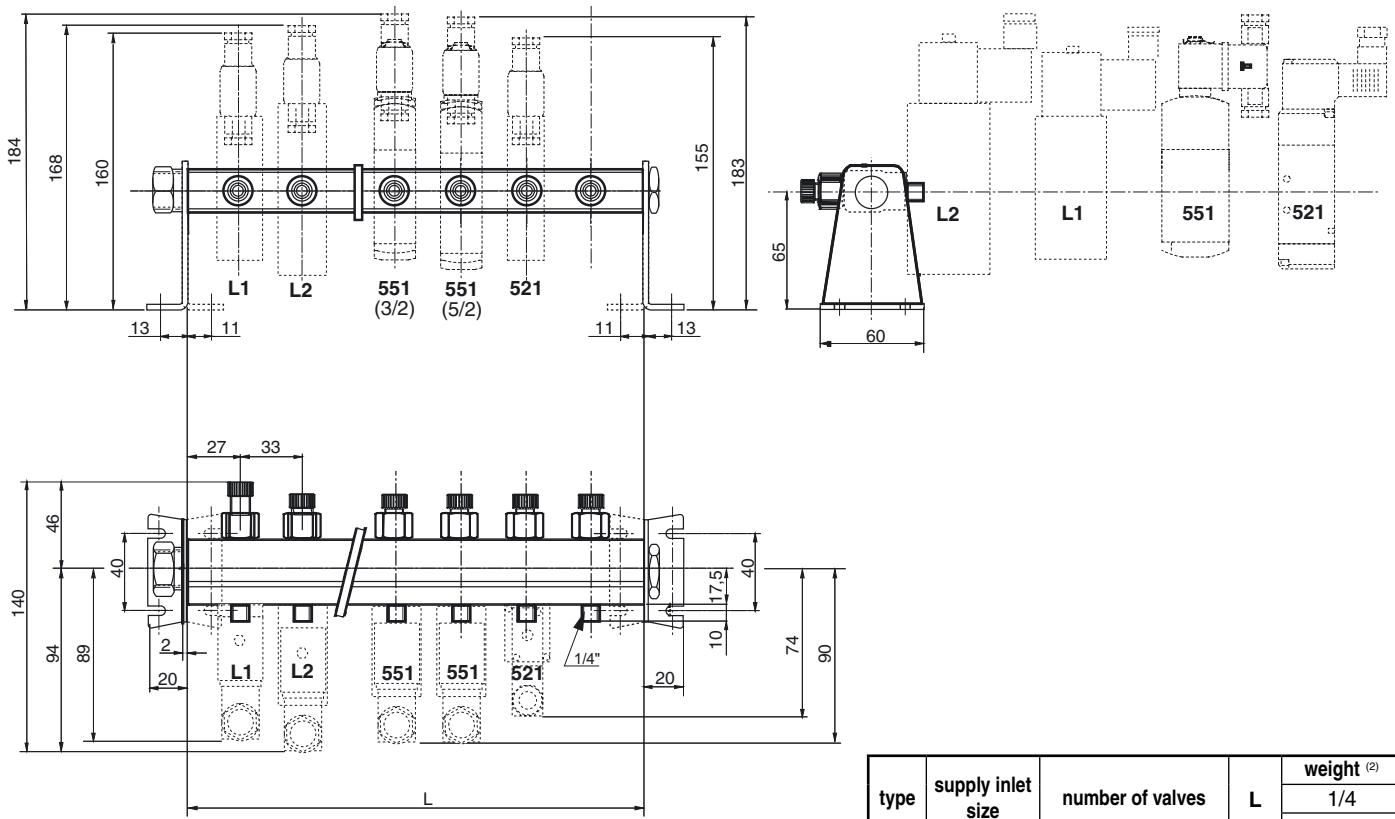
- The supply rails can be mounted in any position without affecting operation
- Threaded pipe connection is standard: G = G (ISO 228/1)
- Installation/maintenance instructions are included with each supply rail

### DIMENSIONS (mm), WEIGHT (kg)



#### TYPE 01

Supply rails  
Aluminium  
Inlet G 1/2, outlets G 1/4



type	supply inlet size	number of valves	L	weight <sup>(2)</sup>	
				1/4	
01	1/2	2	87	0,125	
		3	120	0,176	
		4	153	0,225	
		5	186	0,276	
		6	219	0,326	
		7	252	0,374	
		8	285	0,424	
		9	318	-	
		10	351	-	
		11	384	-	
		12	417	-	

<sup>(2)</sup> Supply rail with plugging screws, mounting brackets and seals.

This mounting arrangement allows valves to be mounted in any of several positions.

