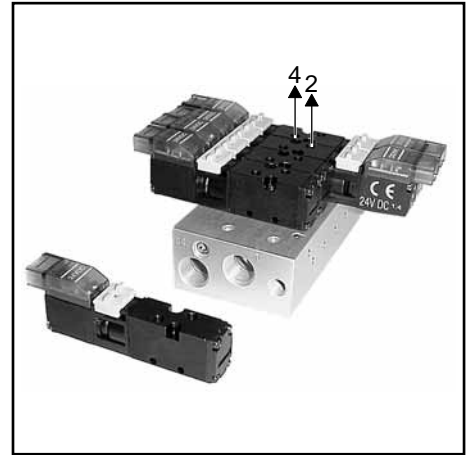


GENERAL

Fluid	Air or neutral gas, non-lubricated, filtered at 25 µm
Operating pressure	2 to 8 bar
Ambient temperature	+5°C to +50°C
Flow (Qv at 6 bar)	See "specifications"
Manual override	Impulse-type and maintained
Particularity	These M3 threaded control valves also fit subbases : common ports 1 and (3-5) on subbase and load ports 2 - 4 on control valve, at the upper parts.

CONSTRUCTION

Body	Light alloy, PA (polyamide)
Internal parts	Light alloy, brass, stainless steel
Seals	NBR (nitrile)



ELECTRICAL CHARACTERISTICS

voltage (other voltages on request)	consumption	insulation class	protection degree	electrical connection
24V = 12V = 5V =	1 W	F	IP 40	connector with two 0.5 mm ² lead wires + built-in LED and electrical protection or cable ends, 0,5 m long
(+10%, -15%)				

The solenoid valves are designed for continuous operation within the maximum ambient temperature limits.

SPECIFICATIONS

function symbol	operators pilot (14) solenoid air operated return (12)	flow		response time (ms)		consumption (W)	type of electrical connection (*)	catalogue number (1)
		at 6 bar l/min (ANR)	coeff. Kv	ener- gized	de-ener- gized			
3/2 NC 	differential return	100	1,43	9	25	1,3	1	51801001
							2	51801126
NO 	differential return	100	1,43	9	25	1,3	3	51801127
							4	51801128
5/2 	differential return	100	1,43	9	25	1,3	5	51801129
							1	51801003
5/2 	solenoid air operated return	100	1,43	6	-	1,3	2	51801130
							3	51801131
5/3 	pressure held W1	80	1,15	8	15	1,3	4	51801132
							5	51801133
5/3 	pressure release W3	80	1,15	8	15	1,3	1	51801020
							2	51801134
5/3 	pressure held W1	80	1,15	8	15	1,3	3	51801135
							4	51801136
5/3 	pressure release W3	80	1,15	8	15	1,3	5	51801137
							1	51801022
5/3 	pressure held W1	80	1,15	8	15	1,3	2	51801138
							3	51801139
5/3 	pressure release W3	80	1,15	8	15	1,3	4	51801140
							5	51801141
5/3 	pressure held W1	80	1,15	8	15	1,3	1	51801030
							2	51801142
5/3 	pressure release W3	80	1,15	8	15	1,3	3	51801143
							4	51801144
5/3 	pressure held W1	80	1,15	8	15	1,3	5	51801145
							1	51801032
5/3 	pressure release W3	80	1,15	8	15	1,3	2	51801146
							3	51801147
5/3 	pressure held W1	80	1,15	8	15	1,3	4	51801148
							5	51801149

(*) Type 1, 2, 3, 4 with LED and electrical protection

1 = horizontal, width 5,08 mm

2 = vertical, width 5,08 mm

3 = horizontal, width 2,54 mm

4 = vertical, width 2,54 mm

5 = Cable ends 0,5 m long, 0,25 mm²

(1) The connectors must be ordered **separately** indicating the quantity and one of the following codes:

Connectors with 2 lead wires

Pin spacing 5,08 mm - Length 0,5 m - **cat.no.: 88118801**

- Length 1,5 m - **cat.no.: 88118802**

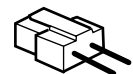
- Length 3 m - **cat.no.: 88118803**

Pin spacing 2,54 mm

- Length 0,5 m - **cat.no.: 88118806**

- Length 1,5 m - **cat.no.: 88118807**

- Length 3 m - **cat.no.: 88118808**



SUBBASES : see overleaf

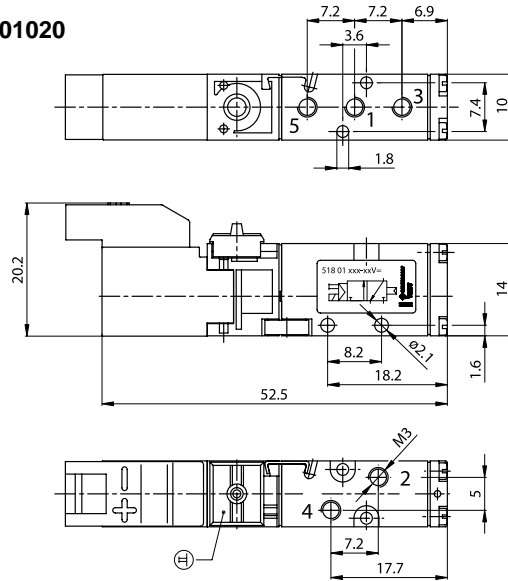
DIMENSIONS (mm), WEIGHT (kg)

MICRO SPOOL-VALVES 3/2 - 5/2

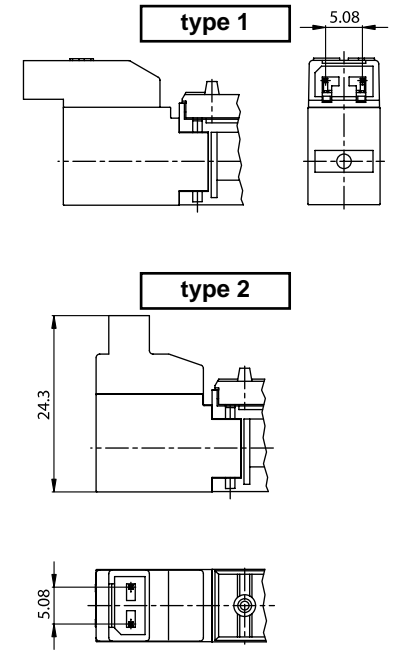
cat.no. 51801001, 51801003, 51801020

weight	
spool-valve	1 connector
0,023	0,005

- 1 = pressure
- 2,4 = outlets
- 3,5 = exhausts



ELECTRICAL CONNECTION

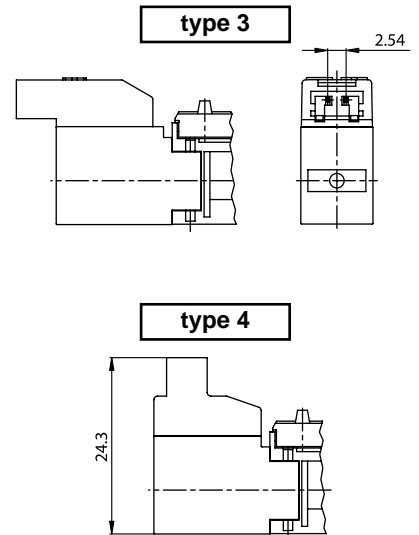
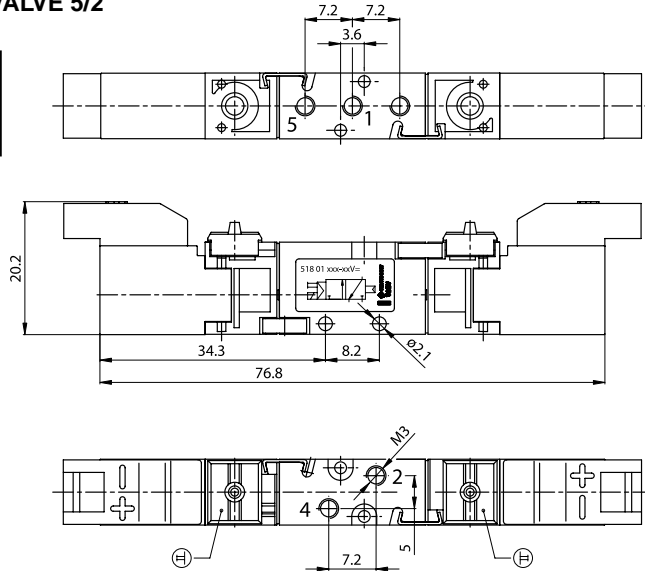


IMPULSE MICRO SPOOL-VALVE 5/2

cat.no. 51801022

weight	
spool-valve	2 connectors
0,037	0,010

- 1 = pressure
- 2,4 = outlets
- 3,5 = exhausts

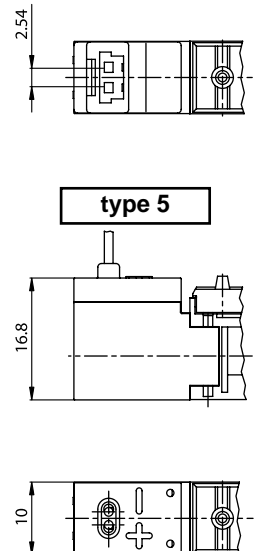
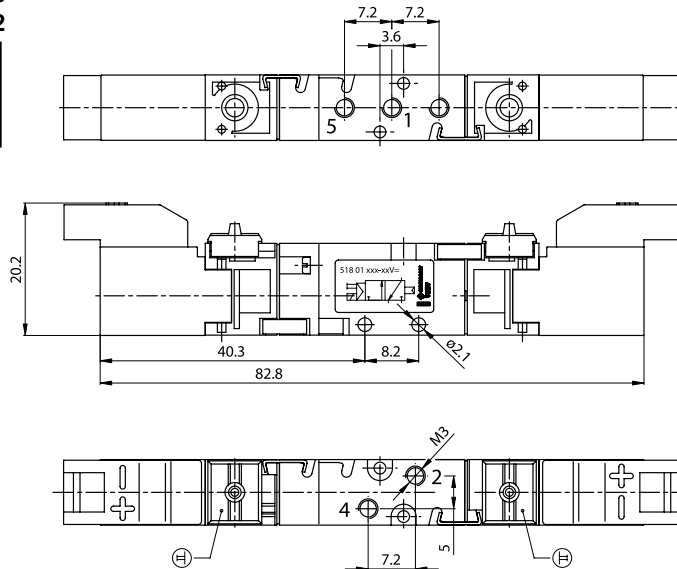


MICRO SPOOL-VALVES 5/3

cat.no. 51801030, 51801032

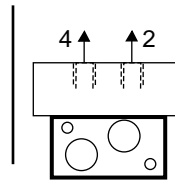
weight	
spool-valve	2 connectors
0,040	0,010

- 1 = pressure
- 2,4 = outlets
- 3,5 = exhausts



SUBBASES

for tapped solenoid air operated
 spool valves



CONSTRUCTION

Connection (2 - 4)

Material

Collected connection

ØM3 (at the **upper** part of spool valves)

Light alloy

Pressure - G 1/8 (1)

Exhaust - G 1/8 (5)

Collected pilot exhaust Ø M5 (82/84)

The 1-5-82-84 ports can be connected to both ends

Subbases are delivered with sealing plugs.

DIMENSIONS (mm), WEIGHT (kg)

subbase catalogue number	no. of spool-valves	length		subbase weight
		L1	L2	
35500232	2	47,5	32,5	0,098
35500233	3	58	43	0,123
35500234	4	68,5	53,5	0,146
35500235	5	79	64	0,172
35500236	6	89,5	74,5	0,195
35500237	7	100	85	0,220
35500238	8	110,5	95,5	0,245
35500239	9	121	106	0,270
35500240	10	131,5	116,5	0,293

A - Blanking plate : **cat.no. 88135533**

