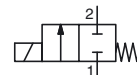




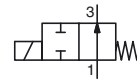
# SOLENOID VALVES

direct operated  
1/4

NC



NO



2/2  
Series  
272

## FEATURES

- Compact and low weight valve enabling easy installation
- Two maximum pressure ratings depending on coil power
- AC/DC interchangeability of the solenoid head without any need for disassembly of the valve
- The solenoid valves satisfy all relevant EC directives

## GENERAL

**Differential pressure** See «SPECIFICATIONS» [1 bar = 100 kPa]  
**Maximum viscosity** 40 cSt (mm<sup>2</sup>/s)  
**Response time** 8 - 20 ms

fluids (*)	temperature range (TS)	seal materials (*)
air, inert gas, water, oil	- 25°C to + 80°C	NBR (nitrile)

## MATERIALS IN CONTACT WITH FLUID

(\*) Ensure that the compatibility of the fluids in contact with the materials is verified

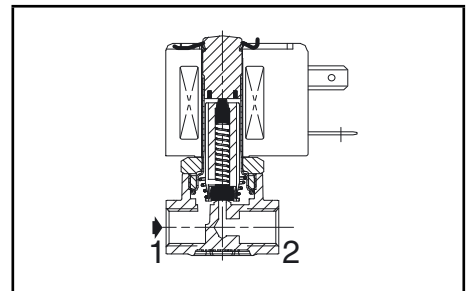
	Brass body	Stainless steel body
<b>Body</b>	Brass	AISI 316L (1.4404)
<b>Internal parts</b>	Stainless steel	Stainless steel
<b>Springs</b>	Stainless steel	Stainless steel
<b>Seat</b>	Brass and stainless steel	Stainless steel
<b>Seals</b>	NBR	NBR
<b>Shading coil</b>	Copper	Copper

## ELECTRICAL CHARACTERISTICS

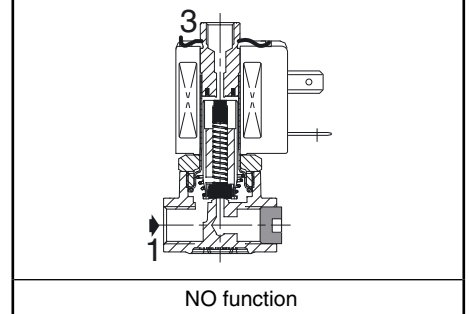
**Coil insulation class** F  
**Connector** Spade plug (cable Ø 6-10 mm)  
**Connector specification** ISO 4400 / EN 175301-803, form A  
**Electrical safety** IEC 335  
**Electrical enclosure protection** Moulded IP65 (EN 60529)  
**Standard voltages** DC (=): 24V - 48V  
 (Other voltages and 60 Hz on request) AC (~): 24V - 48V - 115V - 230V / 50 Hz

prefix option	power ratings				operator ambient temperature range (TS) (C°)	replacement coil		type <sup>(1)</sup>
	inrush	holding		hot/cold		~	=	
	(VA)	(VA)	(W)	(W)		230 V/50 Hz	24 V DC	
SC	23	14	8	8 / 10,8	-25 to + 60	43005096	43005099	01
	55	23	10,5	9 / 11,2	-25 to + 60	400425-117	400425-142	02

<sup>(1)</sup> Refer to the dimensional drawings on the following page.



NC function



NO function

## SPECIFICATIONS

pipe size	orifice size	flow coefficient Kv		operating pressure differential (bar)				power coil (W)		catalogue number				options			
				max. (PS)						brass		stainless steel		maintained main. operator	FPM	EPDM	
				min.	air (*)		water/oil (*)										~
(G*)	(mm)	(m <sup>3</sup> /h)	(l/min)		~	=	~	=	~	=	~	=					
<b>NC - Normally closed</b>																	
1/4	2	0,11	1,8	0	40	15	40	15	8	10,8	SCE272A001		SCE272A031		MS	V	E
					40	40	40	40	10,5	11,2	SCE272A016		SCE272A046		MS	V	E
	2,7	0,22	3,6	0	30	4	30	4	8	10,8	SCE272A002		SCE272A032		MS	V	E
					40	15	40	15	10,5	11,2	SCE272A017		SCE272A047		MS	V	E
	3,8	0,32	5,3	0	15	2	15	2	8	10,8	SCE272A003		SCE272A033		MS	V	E
					20	8	20	8	10,5	11,2	SCE272A018		SCE272A048		MS	V	E
	4,5	0,42	7	0	10	1,5	10	1,5	8	10,8	SCE272A004		SCE272A034		MS	V	E
					16	5	16	5	10,5	11,2	SCE272A019		SCE272A049		MS	V	E
	5,5	0,63	10,5	0	6	1	6	1	8	10,8	SCE272A005		SCE272A035		MS	V	E
					10	2	10	2	10,5	11,2	SCE272A020		SCE272A050		MS	V	E
<b>NO - Normally open</b>																	
1/4 <sup>(2)</sup>	2,5	0,2	3,3	0	20	-	10	-	8	-	SCE272A007		SCE272A037		MS	V	E
					20	20	10	10	10,5	11,2	SCE272A022		SCE272A052		MS	V	E

<sup>(2)</sup> Size of port 1: 1/4, size of Port 3: G 1/8.

00033GB-2011/R01 Availability, design and specifications are subject to change without notice. All rights reserved.

## OPTIONS

- Valves can also be supplied with FPM (fluoroelastomer) and EPDM (ethylene-propylene) seals and discs. Use the appropriate optional suffix letter for identification
- Waterproof enclosure with embedded screw terminal coil according to protection class IP67, CEE-10 (prefix WP or WS)
- Explosionproof enclosures for use in zones 1/21-2/22, categories 2-3 to ATEX Directive 94/9/EC (see "Explosionproof solenoids" section)
- Compliance with "UL", "CSA" and other local approvals available on request
- Oxygen service with seals and disc in FPM, suffix N, example: SCE272A016 NV
- Other pipe connections are available on request
- Solenoid operated drain valve assembly with electronic timer (see Solenoids, Coils & Accessories section)
- Plug with visual indication and peak voltage suppression or with cable length of 2 m (see Solenoids, Coils & Accessories section)

## INSTALLATION

- The solenoid valves can be mounted in any position without affecting operation
- Brass solenoid valves have 2 mounting holes in body
- Pipe connections 1/4 (G\*) have standard combination thread according to ISO 228/1 and ISO 7/1. Pipe connections G 1/8 have standard thread according to ISO 228/1
- Installation/maintenance instructions are included with each valve

## SPARE PARTS KIT

catalogue number	spare parts kit no.		
	~	=	maintained man. operator
SCE272A001/002/003	C140040	C140040	C140048
SCE272A004/005	C140040	C140040	C140048
SCE272A031/032/033	C140040	C140040	C140072
SCE272A034/035	C140040	C140040	C140072
SCE272A016/017/018	C140040	C140040	C140048
SCE272A019/020	C140040	C140040	C140048
SCE272A046/047/048	C140040	C140040	C140072
SCE272A049/050	C140040	C140040	C140072
SCE272A007	C140038	-	C140048
SCE272A022	C140038	C140038	C140048
SCE272A037	C140038	-	C140072
SCE272A052	C140038	C140038	C140072

(1) Standard suffixes E and V are also applicable to kits.

- Not available

## DIMENSIONS (mm), WEIGHT (kg)

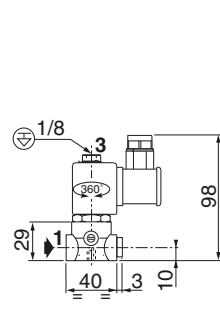
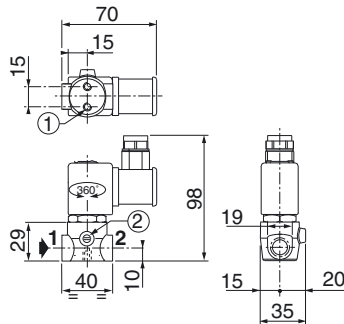


### TYPE 01

Prefix "SC" Solenoid  
Epoxy moulded  
IEC 335 / ISO 4400  
IP65

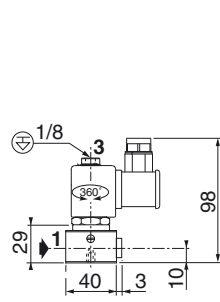
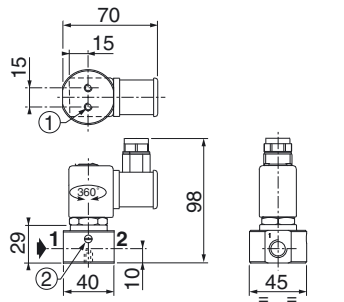
SCE272A001/002/003/004/005

SCE272A007



SCE272A031/032/033/034/035

SCE272A037



- ① 2 mounting holes Ø M4, depth 6 mm.
- ② Manual operator location.

## ORDERING EXAMPLES:

SC	E	272	A	016	MS	230V / 50 Hz
SC	E	272	A	046	V	115V / 50 Hz
SC	E	272	A	007	MS	24V / DC
SC	E	272	A	052		230V / 50 Hz

prefix ~ pipe thread ~ basic number ~ voltage ~ suffix

## ORDERING EXAMPLES KITS:

C140040 <sup>(1)</sup>	
C140038	V
C140038	E

basic number ~ suffix

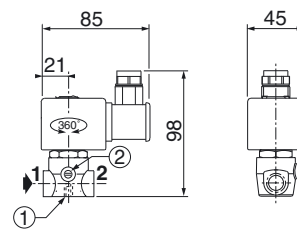


### TYPE 02

Prefix "SC" Solenoid  
Epoxy moulded  
IEC 335 / ISO 4400  
IP65

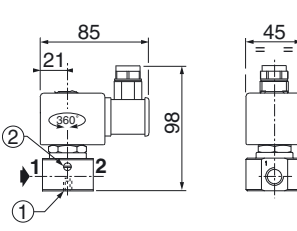
SCE272A016/017/018/019/020

SCE272A022



SCE272A046/047/048/049/050

SCE272A052



type	prefix option	catalogue number	weight <sup>(2)</sup>
01	SC	SCE272A001/002/003/004/005	0,34
		SCE272A031/032/033/034/035	0,41
		SCE272A007	0,37
		SCE272A037	0,45
02	SC	SCE272A016/017/018/019/020	0,51
		SCE272A046/047/048/049/050	0,56
		SCE272A022	0,54
		SCE272A052	0,60

<sup>(2)</sup> including coil and connector..