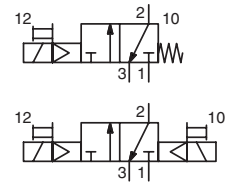


SPOOL VALVES

pilot operated, spool type
single/dual solenoid (mono/bistable function)
aluminium body, 1/4



FEATURES

- The valves offer environmental protection against the ingress of liquids, dusts or other foreign matter (environmentally protected construction)
- For high reliability in very humid outside environments, the versions on [following pages](#) should preferably be used.

GENERAL

Fluids Air or neutral gas, filtered, lubricated or not
Operating pressure 2 to 10 bar
Ambient temperature -25°C to +60°C
Flow (Qv to 6 bar) 860 l/min (ANR) - Kv : 12,5

CONSTRUCTION

SPOOL VALVE

Body Aluminium, black anodized
Internal parts Zinc diecast, stainless steel, POM (polyacetal), aluminium
Seals NBR (nitrile) and PUR (polyurethane)

PILOT VALVE

Seals NBR (nitrile) and PUR (polyurethane)
Electrical safety IEC 335
Coil and magnetic circuit Encapsulated monobloc design
Exhaust Tapped M5 exhaust port, equipped with exhaust protection



ELECTRICAL CHARACTERISTICS

	voltage	consumption		insulation class	protection degree	electrical connection
		inrush	holding			
~	24V - 48V - 115V - 230V / 50Hz	6 VA	3,5 VA (2,5 W)	F	IP 65	spade plug connector size 22 EN 175301-803, industry standard form B (11 mm)
=	24V - 48V	2,5 W				

SPECIFICATIONS

symbol	operators solenoid air pilot (14) return (12)	catalogue number		(M)
		with connector	without connector	
	spring	55102005	55102006	●
	solenoid air	55102007	55102008	●

(M) Type of manual operator on pilot(s): ● : maintained

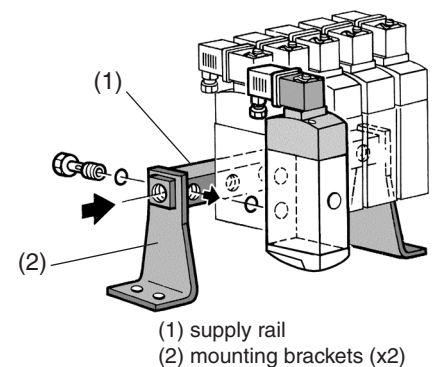
Note: do not connect the pressure supply to the exhaust port 3. For a "distributing" function or use in NO function, contact us.

ACCESSORIES

- [Supply rails](#)

	supply rail supplied with seals and banjo bolts (without mounting brackets) (1)	supply rail with isolation valves - allows isolation of one or more spool valves from the main pressure supply
supply rail for «n» valves	G 1/4	G 1/4
2	88100034	88100915
3	88100035	88100916
4	88100036	88100917
5	88100037	88100918
6	88100038	88100919
7	88100039	88100920
8	88100040	88100921

- Set of 2 mounting brackets (2) for supply rail - catalogue number: **88100049**



OPTIONS

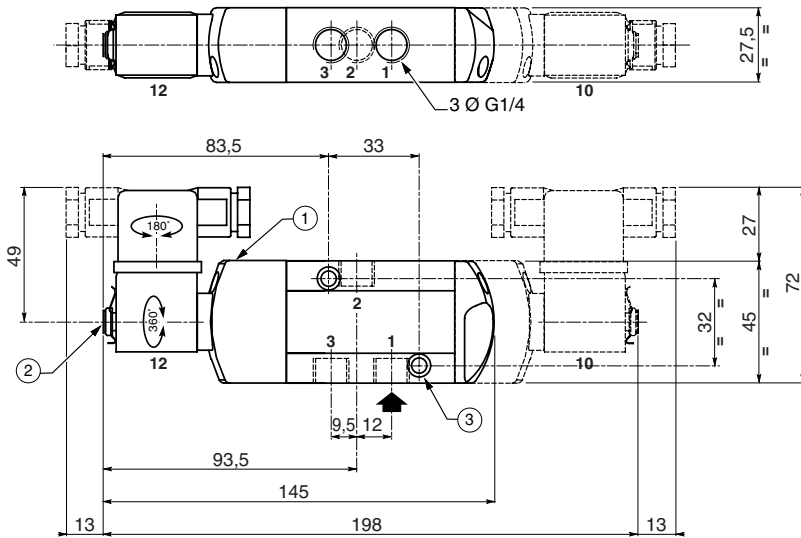
- Other voltages and 60 Hz on request
- [ATEX compliant coil and connector for use in potentially explosive dust environments \(SG\), zone 22](#)
- Connector size 22, cable length 2 m: **88122413**
- Electrovalve [with connector equipped with visual indicator and built-in electrical protection](#):

catalogue number of spool valve without connector + catalogue number of connector with visual indicator and built-in electrical protection (- / =)

24V	48V	115V	230V
88122405	88122406	88122407	88122410

DIMENSIONS (mm), WEIGHT (kg)

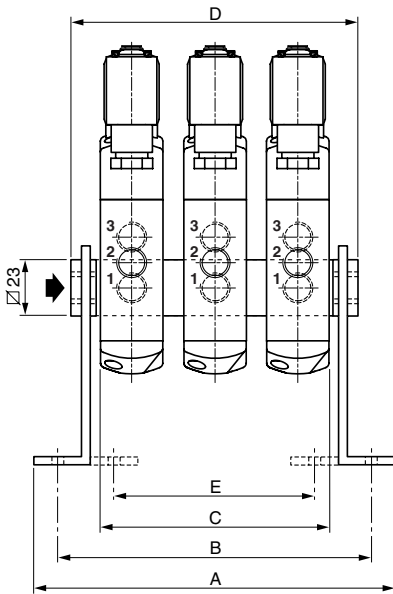
Weight: Spool valve + 1 pilot = 0,316 kg
 Spool valve + 2 pilots = 0,436 kg



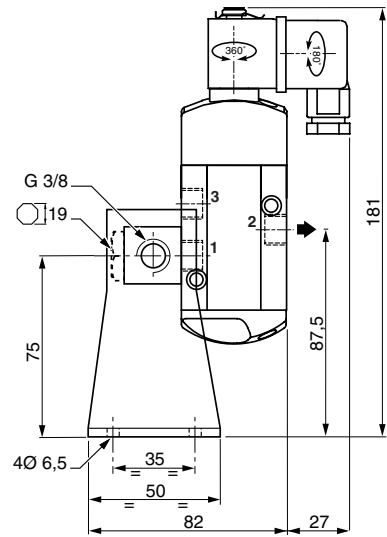
3/2 NC connection
 1 = Pressure
 2 = Outlet
 3 = Exhaust
 10 = Return
 12 = Pilot

- ① Maintained manual operator
- ② Connectable M5 exhaust with protection
- ③ 2 mounting holes: Ø 5,3 spotfacing: Ø 9, depth 5

ASSEMBLY WITH COMMON SUPPLY RAIL



series 551	number of valves							
	2	3	4	5	6	7	8	
A	108	136	164	192	220	248	276	
B	92	120	148	176	204	232	260	
C	55	83	111	139	167	195	223	
D	78	106	134	162	190	218	246	
E	42	70	98	126	154	182	210	
type	weight (kg)							
with 1 pilot	0,9	1,3	1,7	2,0	2,4	2,9	3,3	
with 2 pilots	1,2	1,7	2,1	2,6	3,1	3,6	4,1	



This mounting arrangement allows valves to be mounted in any of 4 positions

